

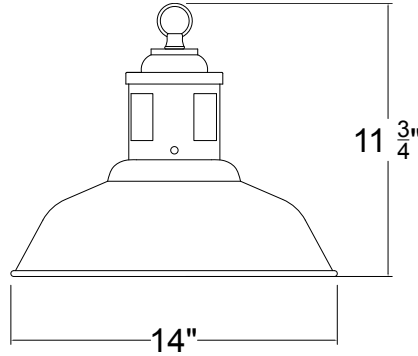


# FARMHOUSE LIGHTING

## SPECIFICATION SHEET



FW514.78-20W.BLC.MED60W



**MODEL: FW514**

PREPARED BY: \_\_\_\_\_

TYPE: \_\_\_\_\_

JOB NAME: \_\_\_\_\_

DATE: \_\_\_\_\_

CERTIFICATION: **UL LISTED**

BABA COMPLIANT

**FINISH** – Five stage pretreatment process, coated with a lead free TGI C polyester powder coat finish. White is standard inside reflectors, \*some finish options excluded. See color chart below for color options (unless specified). Some finish options are not available for certain fixtures. Custom colors and Marine options are available upon request. **Finishes #14PN, 19, 20, 20PB, 20SB, 21, 22, 23, 39, 40, 57, 58, 88 do not apply to this fixture.**

**LAMP HOLDERS** – Accommodates **Medium base (E26)** - LED bulb preferred – medium base porcelain socket, copper shell with nickel plate, rated 250v, 660W. **LED(dedicated)** - Designed to last up to 50,000 hours, depending on installation location and ambient temperatures.

**MOUNTING** – Available with cord, chain, stem or arm mount. Cord mount supplied with 96” of cord. Stem mount is supplied with 1/2” or 3/4” tapped hub and 18” stem, unless specified. Stem mount supplied with 48” or 96” leads. Chain supplied with 36” chain and 96” cord.

**REFLECTOR** – Shade is spun from heavy gauge aluminum 1100-0.

**\*Note – rated for dry location, due to exposure to socket and light bulb.**

MODEL #	FINISH	LIGHT SOURCE				MOUNTING OPTIONS	ACCESSORIES
		INC	CF*	MH*	LED		
FW514	SEE THE FINISH OPTION CHART ON THE WEBSITE AT THE BOTTOM OF THE PAGE UNDER “PRODUCT INFORMATION.”	100W	N/A	N/A	25W	CHAIN & CORD, CORD MOUNT, STEM MOUNT, ARM EXTENSION	N/A

\* same finish color inside and out.  
\* remote ballast / driver.

.SUBJECT TO MODIFICATION WITHOUT NOTICE.



BASELITE CORPORATION  
12260 EAST END AVE.  
CHINO, CA 91710

PH: 877-999-1990  
WEB: WWW.BASELITE.COM  
EMAIL: SALES@BASELITE.COM

