

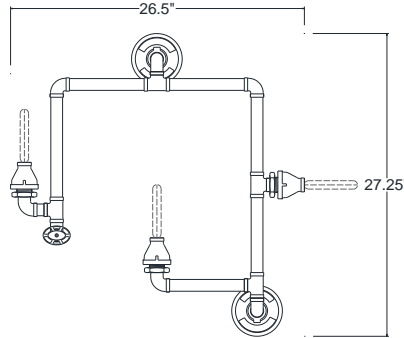


WATER PIPE LIGHTS

SPECIFICATION SHEET



WEW3/74/3-60WINC



MODEL: WEW3

PREPARED BY: _____

TYPE: _____

JOB NAME: _____

DATE: _____

CERTIFICATION: UL LISTED

FINISH – Five stage pretreatment process, coated with a lead free TGI C polyester powder coat finish. See color chart below for color options. Some finish options are not available for certain fixtures. Custom colors and Marine options are available upon request. **Finishes #14PN, 19, 20, 20PB, 20SB, 21, 22, 23, 39, 40, 57, 58, 88 do not apply to this fixture.**

LAMP HOLDERS – Accommodates **Incandescent/LED** bulb – medium base porcelain socket, copper shell with nickel plate, rated 250v, 660W.

MOUNTING – Wall mount only. Rated for dry location.

REFLECTOR – Aluminum water pipe and cast aluminum pipe fittings. Projection is 4” from the wall.

MODEL #	FINISH	LIGHT SOURCE				MOUNTING OPTIONS	ACCESSORIES
		INC	CF*	MH*	LED		
WEW3	SEE THE FINISH OPTION CHART ON THE WEBSITE AT THE BOTTOM OF THE PAGE UNDER “PRODUCT INFORMATION.”	3-60W	N/A	N/A	12W	WALL MOUNT	N/A

* same finish color inside and out.
* remote ballast / driver.

.SUBJECT TO MODIFICATION WITHOUT NOTICE.



BASELITE CORPORATION
12260 EAST END AVE.
CHINO, CA 91710

PH: 877-999-1990
WEB: WWW.BASELITE.COM
EMAIL: SALES@BASELITE.COM

