

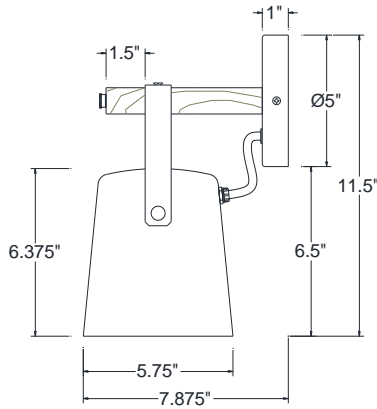


MODERN PENDANTS

SPECIFICATION SHEET



WC6.41-85.BLC.60INC



MODEL: WC6

PREPARED BY: _____

TYPE: _____

JOB NAME: _____

DATE: _____

CERTIFICATION: UL LISTED

FINISH – Five stage pretreatment process, coated with a lead free TGI C polyester powder coat finish. White is standard inside reflectors, *some finish options excluded. See color chart below for color options (unless specified). Some finish options are not available for certain fixtures. Custom colors and Marine options are available upon request.

LAMP HOLDERS – Accommodates **Incandescent/LED** bulb – medium base porcelain socket, copper shell with nickel plate, rated 250V, 660W.

MOUNTING – Available with wall mount, cord or stem mounting. Cord and stem mount would not feature the wood dowel accent. Fixtures are pre-wired with 48” or 96” leads or 96” cord.

REFLECTOR – Spun from heavy gauge 1100-0 aluminum, ranging in thickness from .050 to .125. Galvanized is from 20 gauge sheets. Natural finish wood dowel with brass thumb screws.

MODEL #	FINISH	LIGHT SOURCE				MOUNTING OPTIONS	ACCESSORIES
		INC	CF *	MH*	LED		
WC6	SEE THE FINISH OPTION CHART ON THE WEBSITE AT THE BOTTOM OF THE PAGE UNDER “PRODUCT INFORMATION.”	60W	N/A	N/A	N/A	WALL MOUNT	N/A

* same finish color inside and out.
* remote ballast / driver.

.SUBJECT TO MODIFICATION WITHOUT NOTICE.

