

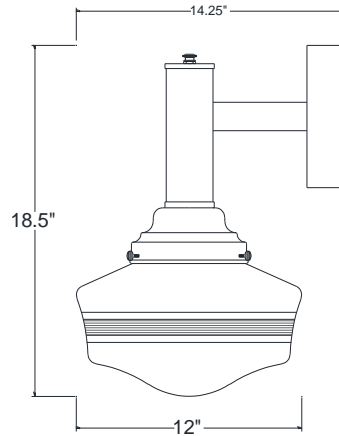


SCHOOL HOUSE

SPECIFICATION SHEET



SCW12/41/PSTL/100INC



MODEL: SCW12

PREPARED BY: _____

TYPE: _____

JOB NAME: _____

DATE: _____

CERTIFICATION: UL LISTED

FINISH – Five stage pretreatment process, coated with a lead free TGI C polyester powder coat finish. White is standard inside reflectors, *some finish options excluded. See color chart below for color options (unless specified). Some finish options are not available for certain fixtures. Custom colors and Marine options are available upon request.

LAMP HOLDERS – Accommodates **Incandescent/LED** bulb – medium base porcelain socket, copper shell with nickel plate, rated 250V, 660W.
LED – Designed to last with up to 50,000 hours, depending on installation location and ambient temperature.

MOUNTING – Wall mount only. Fixtures are pre-wired with 6” leads.

REFLECTOR – Spun from heavy gauge 1100-0 aluminum, ranging in thickness from .050 to .125. Opal schoolhouse glass with turquoise and black pinstripe. * Rated for damp location.

MODEL #	FINISH	LIGHT SOURCE				MOUNTING OPTIONS	ACCESSORIES
		INC	CF *	MH*	LED		
SCW12	SEE THE FINISH OPTION CHART ON THE WEBSITE AT THE BOTTOM OF THE PAGE UNDER “PRODUCT INFORMATION.”	100W	N/A	N/A	25W	WALL MOUNT	N/A

* same finish color inside and out.
 * remote ballast / driver.

.SUBJECT TO MODIFICATION WITHOUT NOTICE.



BASELITE CORPORATION
 12260 EAST END AVE.
 CHINO, CA 91710

PH: 877-999-1990
 WEB: WWW.BASELITE.COM
 EMAIL: SALES@BASELITE.COM

