

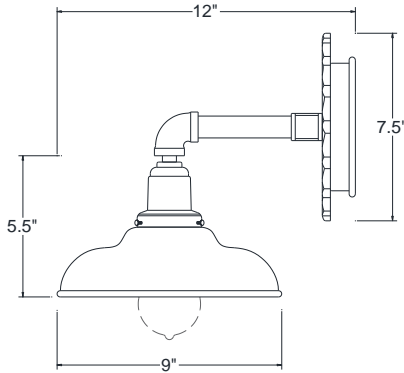


MACHINE AGE

SPECIFICATION SHEET



S2H3/98/E17/GRTE/60INC



MODEL: S2H3

PREPARED BY: _____

TYPE: _____

JOB NAME: _____

DATE: _____

CERTIFICATION: UL LISTED

FINISH – Five stage pretreatment process, coated with a lead free TGI C polyester powder coat finish. The finish color is the same inside and out of the light fixture. See color chart below for color options. Some finish options are not available for certain fixtures. Custom colors and Marine options are available upon request. **Finishes #14PN, 20, 20PB, 20SB, 39, 40, do not apply to this fixture.**

LAMP HOLDERS – Accommodates **Incandescent/LED** bulb – medium base porcelain socket, copper shell with nickel plate, rated 250v, 660W.

MOUNTING – Available with wall mount or cord mounting. Fixtures are pre-wired with 48” leads or 96” cord.

REFLECTOR – Spun from heavy gauge 1100-0 aluminum, ranging in thickness from .050 to .125. Galvanized is from 20 gauge sheets. Copper is spun from .040 gauge and 110 soft alloy. Gear is cast from high grade 356 aluminum.

MODEL #	FINISH	LIGHT SOURCE				MOUNTING OPTIONS	ACCESSORIES
		INC	CF*	MH*	LED		
S2H3	SEE THE FINISH OPTION CHART ON THE WEBSITE AT THE BOTTOM OF THE PAGE UNDER “PRODUCT INFORMATION.”	60W	N/A	N/A	N/A	WALL MOUNT, CORD MOUNT	N/A

* same finish color inside and out.
* remote ballast / driver.

.SUBJECT TO MODIFICATION WITHOUT NOTICE.



BASELITE CORPORATION
12260 EAST END AVE.
CHINO, CA 91710

PH: 877-999-1990
WEB: WWW.BASELITE.COM
EMAIL: SALES@BASELITE.COM

