

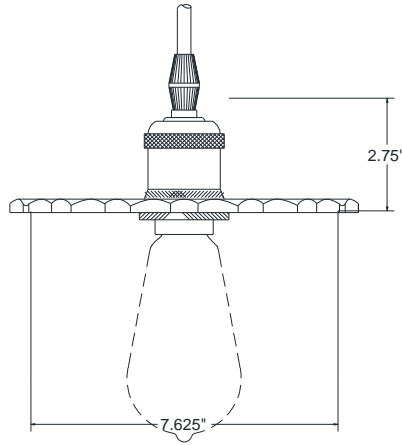


MACHINE AGE

SPECIFICATION SHEET



S2GRTE/19P/BLC/60INC



MODEL: S2GRTE

PREPARED BY: _____

TYPE: _____

JOB NAME: _____

DATE: _____

CERTIFICATION: UL LISTED

FINISH – Five stage pretreatment process, coated with a lead free TGI C polyester powder coat finish. White is standard inside reflectors, *some finish options excluded. See color chart below for color options (unless specified). Some finish options are not available for certain fixtures. Custom colors and Marine options are available upon request.

LAMP HOLDERS – Accommodates **Incandescent/LED** bulb – medium base porcelain socket, copper shell with nickel plate, rated 250v, 660W.

MOUNTING – Available with cord mounting. Fixtures are pre-wired with 96” cord.

REFLECTOR – Gear cast from a high grade 356 aluminum.

MODEL #	FINISH	LIGHT SOURCE				MOUNTING OPTIONS	ACCESSORIES
		INC	CF*	MH*	LED		
S2GRTE	SEE THE FINISH OPTION CHART ON THE WEBSITE AT THE BOTTOM OF THE PAGE UNDER “PRODUCT INFORMATION.”	60W	N/A	N/A	N/A	CORD MOUNT	N/A

* same finish color inside and out.
* remote ballast / driver.

.SUBJECT TO MODIFICATION WITHOUT NOTICE.



BASELITE CORPORATION
12260 EAST END AVE.
CHINO, CA 91710

PH: 877-999-1990
WEB: WWW.BASELITE.COM
EMAIL: SALES@BASELITE.COM

