

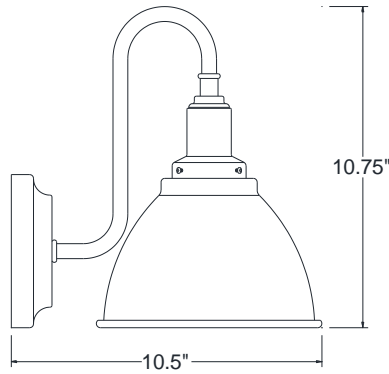


FARM HOUSE

SPECIFICATION SHEET



S2DN8/64/WM22/60INC



MODEL: S2DN8

PREPARED BY: _____

TYPE: _____

JOB NAME: _____

DATE: _____

CERTIFICATION: UL LISTED

FINISH – Five stage pretreatment process, coated with a lead free TGI C polyester powder coat finish. White is standard inside reflectors, *some finish options excluded. See color chart below for color options (unless specified). Some finish options are not available for certain fixtures. Custom colors and Marine options are available upon request.

LAMP HOLDERS – Accommodates **Incandescent/LED** bulb – medium base porcelain socket, copper shell with nickel plate, rated 250V, 660W.
LED – Integrated LED, designed to last with up to 50,000 hours, depending on installation location and ambient temperature.

MOUNTING – Available with wall, cord or stem mounting. Fixtures are pre-wired with 48” or 96” leads or 96” cord.

REFLECTOR – Spun from heavy gauge 1100-0 aluminum, ranging in thickness from .050 to .125.

MODEL #	FINISH	LIGHT SOURCE				MOUNTING OPTIONS	ACCESSORIES
		INC	CF*	MH*	LED		
S2DN8	SEE THE FINISH OPTION CHART ON THE WEBSITE AT THE BOTTOM OF THE PAGE UNDER “PRODUCT INFORMATION.”	60W	N/A	N/A	25W	CORD MOUNT, STEM MOUNT, ARM EXTENSION, WALL MOUNT	SEE CATALOG FOR ACCESSORY OPTIONS. PG. 66-68

* same finish color inside and out.
* remote ballast / driver.

.SUBJECT TO MODIFICATION WITHOUT NOTICE.

