

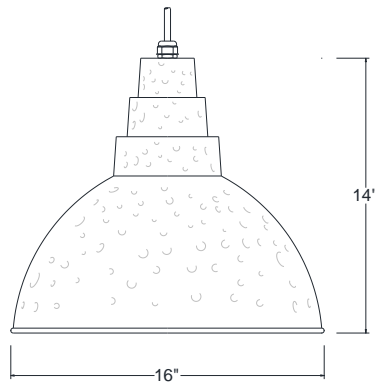


FARM HOUSE

SPECIFICATION SHEET



DH618/19/BLC/150INC



MODEL: DH618

PREPARED BY: _____

TYPE: _____

JOB NAME: _____

DATE: _____

CERTIFICATION: UL LISTED

FINISH – Five stage pretreatment process, coated with a lead free TGI C polyester powder coat finish. White is standard inside reflectors, *some finish options excluded. See color chart below for color options (unless specified). Some finish options are not available for certain fixtures. Custom colors and Marine options are available upon request.

LAMP HOLDERS – Accommodates **Incandescent/LED** bulb - medium base porcelain socket, copper shell with nickel plate, rated 250v, 660W. **Compact Fluorescent** – 4 pin heat resistant thermoplastic socket accommodates 26/32W (Gx24q-3 base). Twist lock design provides stability against vibration and is earthquake resistance. Rated 75W, 60V. **LED** – Designed to last with up to 50,000 hours, depending on installation location and ambient temperature (not available with colored cloth cords).

MOUNTING – Available with cord or stem mounting. Supplied with 1/2" or 3/4" tapped hub with stem mounting. Fixtures are pre-wired with 48" or 96" leads or 96" cord.

REFLECTOR – Spun from heavy gauge 1100-0 aluminum, ranging in thickness from .050 to .125. Galvanized is from 20 gauge sheets. Hand distressed, the distressed pattern will vary from shade to shade.

| MODEL # | FINISH | LIGHT SOURCE | | | | MOUNTING OPTIONS | ACCESSORIES |
|---------|---|--------------|---------------------|--|-----|---|------------------------------------|
| | | INC | CF* | MH* | LED | | |
| DH618 | SEE THE FINISH OPTION CHART ON THE WEBSITE AT THE BOTTOM OF THE PAGE UNDER "PRODUCT INFORMATION". | 300W | 26W, 32W, 42W | 35W, 50W, 70W, 100W, 150W, 175W | 45W | CORD MOUNT, STEM MOUNT, ARM EXTENSION | SEE CATALOG FOR ACCESSORY OPTIONS. |

* same finish color inside and out.
* remote ballast / driver.

.SUBJECT TO MODIFICATION WITHOUT NOTICE.



BASELITE CORPORATION
12260 EAST END AVE.
CHINO, CA 91710

PH: 877-999-1990
WEB: WWW.BASELITE.COM
EMAIL: SALES@BASELITE.COM

