

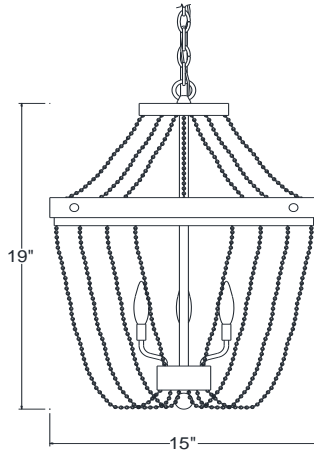


# FARMHOUSE

SPECIFICATION SHEET



CLR15/78/CHB/3-30W/INC



**MODEL: CLR15**

PREPARED BY: \_\_\_\_\_

TYPE: \_\_\_\_\_

JOB NAME: \_\_\_\_\_

DATE: \_\_\_\_\_

CERTIFICATION: UL LISTED

**FINISH** – Five stage pretreatment process, coated with a lead free TGI C polyester powder coat finish. White is standard inside reflectors, \*some finish options excluded. See color chart below for color options (unless specified). Some finish options are not available for certain fixtures. Custom colors and Marine options are available upon request. **Finishes #14PN, 19, 20, 20PB, 20SB, 21, 22, 23, 39, 40, 57, 58, 88 do not apply to this fixture.**

**LAMP HOLDERS** – Accommodates **Incandescent/LED** bulb – medium base porcelain socket, copper shell with nickel plate, rated 250V, 660W.

**MOUNTING** – Available with cord or stem mounting. Fixtures are pre-wired with 48” or 96” leads or 96” cord.

**REFLECTOR** – Shade is spun from heavy gauge 1100-0 aluminum, ranging in thickness from .050 to .125. Steel chain links.

MODEL #	FINISH	LIGHT SOURCE				MOUNTING OPTIONS	ACCESSORIES
		INC	CF*	MH*	LED		
CLR15	SEE THE FINISH OPTION CHART ON THE WEBSITE AT THE BOTTOM OF THE PAGE UNDER “PRODUCT INFORMATION.”	3-30W	N/A	N/A	N/A	CORD & CHAIN, STEM MOUNT	N/A

\* same finish color inside and out.  
\* remote ballast / driver.

.SUBJECT TO MODIFICATION WITHOUT NOTICE.

