

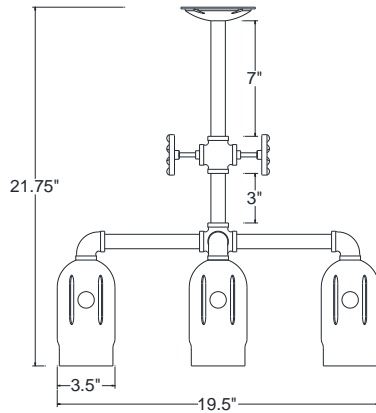


# MACHINE AGE

SPECIFICATION SHEET



5WT3S/17/ST18/19/STC/5-60INC



**MODEL: 5WT3S**

PREPARED BY: \_\_\_\_\_

TYPE: \_\_\_\_\_

JOB NAME: \_\_\_\_\_

DATE: \_\_\_\_\_

CERTIFICATION: **UL LISTED**

**FINISH** – Five stage pretreatment process, coated with a lead free TGI C polyester powder coat finish. White is standard inside reflectors, \*some finish options excluded. See color chart below for color options (unless specified). Some finish options are not available for certain fixtures. Custom colors and Marine options are available upon request. **Finishes #14PN, 19, 20, 20PB, 20SB, 21, 22, 23, 39, 40, 57, 58, 88 do not apply to this fixture.**

**LAMP HOLDERS** – Accommodates **Incandescent/LED** bulb – medium base porcelain socket, copper shell with nickel plate, rated 250v, 660W.  
**LED** – Designed to last with up to 50,000 hours, depending on installation location and ambient temperature.

**MOUNTING** – Available with stem mounting. Supplied with 1/2" tapped hub with stem mounting. Fixtures are pre-wired with 48" or 96" leads.

**REFLECTOR** – Cast aluminum.

MODEL #	FINISH	LIGHT SOURCE				MOUNTING OPTIONS	ACCESSORIES
		INC	CF*	MH*	LED		
5WT3S	SEE THE FINISH OPTION CHART ON THE WEBSITE AT THE BOTTOM OF THE PAGE UNDER "PRODUCT INFORMATION."	5- 60W	N/A	N/A	5-10W	STEM MOUNT	N/A

\* same finish color inside and out.  
 \* remote ballast / driver.

.SUBJECT TO MODIFICATION WITHOUT NOTICE.



BASELITE CORPORATION  
 12260 EAST END AVE.  
 CHINO, CA 91710

PH: 877-999-1990  
 WEB: WWW.BASELITE.COM  
 EMAIL: SALES@BASELITE.COM

