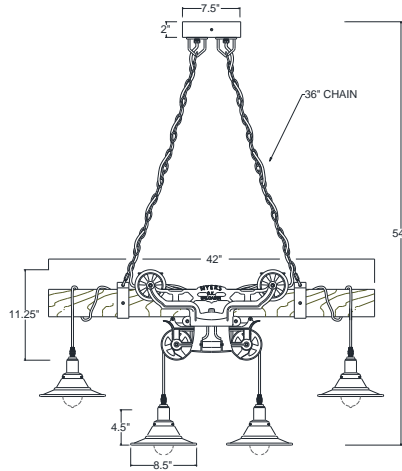




FARM HOUSE

SPECIFICATION SHEET



MODEL: 4MHP

PREPARED BY: _____

TYPE: _____

JOB NAME: _____

DATE: _____

CERTIFICATION: UL LISTED

FINISH – Five stage pretreatment process, coated with a lead free TGI C polyester powder coat finish. White is standard inside reflectors, *some finish options excluded. See color chart below for color options (unless specified). Some finish options are not available for certain fixtures. Custom colors and Marine options are available upon request. **Finishes #14PN, 19, 20, 20PB, 20SB, 21, 22, 23, 39, 40, 57, 58, 88 do not apply to this fixture.**

LAMP HOLDERS – Accommodates **Incandescent/LED** bulb – medium base porcelain socket, copper shell with nickel plate, rated 250v, 660W.

MOUNTING – Available with cord & chain mounting. Fixtures are pre-wired 96” cord and 36” chain.

REFLECTOR – Shades are spun from heavy gauge 1100-0 aluminum, ranging in thickness from .050 to .125. Galvanized is from 20 gauge sheets. The Meyer hay pulley is casted from a high-grade aluminum and accompanied by a distressed wood beam. Dry location only.

MODEL #	FINISH	LIGHT SOURCE				MOUNTING OPTIONS	ACCESSORIES
		INC	CF*	MH*	LED		
4MHP	SEE THE FINISH OPTION CHART ON THE WEBSITE AT THE BOTTOM OF THE PAGE UNDER “PRODUCT INFORMATION.”	4-60W	N/A	N/A	N/A	CORD & CHAIN MOUNT	N/A

* same finish color inside and out.

* remote ballast / driver.

.SUBJECT TO MODIFICATION WITHOUT NOTICE.



BASELITE CORPORATION
12260 EAST END AVE.
CHINO, CA 91710

PH: 877-999-1990
WEB: WWW.BASELITE.COM
EMAIL: SALES@BASELITE.COM

