

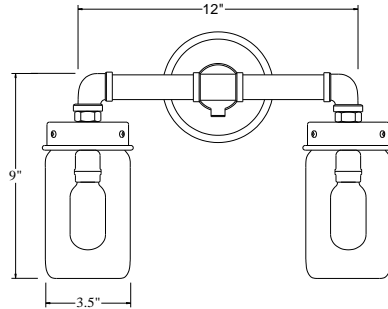


FARMHOUSE

SPECIFICATION SHEET



2MJ.48.E18.48.2-25INC



MODEL: 2MJ

PREPARED BY: _____

TYPE: _____

JOB NAME: _____

DATE: _____

CERTIFICATION: UL LISTED

FINISH – Five stage pretreatment process, coated with a lead free TGI C polyester powder coat finish. White is standard inside reflectors, *some finish options excluded. See color chart below for color options (unless specified). Some finish options are not available for certain fixtures. Custom colors and Marine options are available upon request. **Finishes #14PN, 19, 20, 20PB, 20SB, 21, 22, 23, 39, 40, 57, 58, 88 do not apply to this fixture.**

LAMP HOLDERS – Accommodates **Incandescent/LED** bulb – medium base porcelain socket, copper shell with nickel plate, rated 250v, 660W.

MOUNTING – Available with distressed wood back board. Fixtures are pre-wired with 48” leads.

MATERIAL – Spun from heavy gauge 1100-0 aluminum, ranging in thickness from .050 to .125. Steel pipe fittings and clear Ball mason jars.

MODEL #	FINISH	LIGHT SOURCE				MOUNTING OPTIONS	ACCESSORIES
		INC	CF*	MH*	LED		
2MJ	SEE THE FINISH OPTION CHART ON THE WEBSITE AT THE BOTTOM OF THE PAGE UNDER “PRODUCT INFORMATION.”	25W	N/A	N/A	N/A	WALL MOUNT	N/A

* same finish color inside and out.
* remote ballast / driver.

.SUBJECT TO MODIFICATION WITHOUT NOTICE.

