

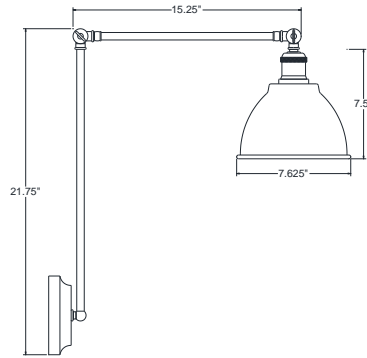


# MACHINE AGE

## SPECIFICATION SHEET



S5D8/78/WM29V/22/60INC



**MODEL: S5D8**

PREPARED BY: \_\_\_\_\_

TYPE: \_\_\_\_\_

JOB NAME: \_\_\_\_\_

DATE: \_\_\_\_\_

CERTIFICATION: UL LISTED

**FINISH** – Five stage pretreatment process, coated with a lead free TGI C polyester powder coat finish. White is standard inside reflectors, some finish options excluded. See color chart on website for color options (unless specified). Some finish options are not available for certain fixtures. Custom colors and Marine options are available upon request.

**LAMP HOLDERS** – Accommodates **Incandescent/LED** bulb – medium base porcelain socket, copper shell with nickel plate, rated 250v, 660W.

**LED** – Designed to last with up to 50,000 hours, depending on installation location and ambient temperature (not available with colored cloth cords).

**MOUNTING** – Available with wall mount, stem and cord mounting. Fixture is prewired with 48” or 96” leads for stem mount. 96” cord supplied for cord mount. Wall mount options - WM19, WM20, WM21, WM23, WM24, WM25, WM26, WM27, WM28, WM29, WM29V (see website for images and dimensions). Canopy will increase in size for L.E.D. light source option.

**REFLECTOR** – Spun from heavy gauge 1100-0 aluminum, ranging in thickness from .050 to .125.

MODEL #	FINISH	LIGHT SOURCE				MOUNTING OPTIONS	ACCESSORIES
		INC	CF*	MH*	LED		
S5D8	SEE THE FINISH OPTION CHART ON THE WEBSITE AT THE BOTTOM OF THE PAGE UNDER “PRODUCT INFORMATION.”	150W	N/A	N/A	25W	CORD MOUNT, STEM MOUNT, WALL MOUNT	N/A

\* same finish color inside and out.  
\* remote ballast / driver.

.SUBJECT TO MODIFICATION WITHOUT NOTICE.

