



BASELITE – OPAL BALL – LED – SPECIFICATION SHEET



PROJECT NAME: _____ PROJECT TYPE: _____

MODEL #	/	/	/	/	/	/	/	/	/	X	/	X	/	X
	A	B	C	D	E	F	G	H	I	J	K			
EXAMPLE:	W513	41	E16	SQ 1/2"	43	100W	3K	LDM120						

*SKIP SECTION IF OPTION DOES NOT APPLY

NOTES:



A - SHADES

OPAL BALL (ACRYLIC)
OB8 - 10WLED (MAX)
OB10 - 10WLED (MAX)
OB12 - 25WLED (MAX)
OB14 - 25WLED (MAX)
OB16 - 25WLED (MAX)
OB18 - 25WLED (MAX)
OB20 - 25WLED (MAX)
OB22 - 25WLED (MAX)
20B8 - 10WLED (MAX)
OBF10 - 10WLED (MAX)

B - FINISH OPTIONS

(SEE WEBSITE FOR SWATCH COLORS)
 (*SEE NOTES FOR LIMITATIONS*)
 14, 15, 16, 17, 18, 19, 19P, 20, 20P, 20PB, 20SB, 21, 21P, 22, 22P, 23, 23P, 38, 39, 40, 41, 41.5, 42, 43, 44, 45, 46, 48, 49, 50, 51, 52, 53, 54, 55, 57, 58, 59, 60, 61, 62, 63, 64, 65, 66, 70, 71, 72, 73, 74, 75, 76, 77, 78, 79, 80, 81, 82, 83, 84, 85, 86, 87, 88, 89, 90, 91, 92, 93, 94, 95, 96, 97, 98, 99, 100, MG.

C – MOUNTING OPTIONS

LED CORD MOUNT
 LBLC, LWHC, LTCB, LTCW, LTCHB, LTCHW, LRCB, LRCW, LRCHB, LRCHW, LCHB, LCHW
STEM MOUNT
 DP24, DWM, ST6, ST12, ST18, ST24, ST36, ST48, STXX
WALL MOUNT
 WM17X, WM21X

D – MOUNTING ADD-ONS

INC ADD-ONS
 LSLC1/2", LSLC3/4", LSTC1/2"
UNIVERSAL ADD-ONS
 LCNK

E – MOUNTING COLOR

SEE SECTION "B" FOR COLOR OPTIONS.

F – LIGHT SOURCE

(SEE PAGE 3 FOR WATTAGE LIMITATIONS)
LIGHT EMITTED DIODE (LED)
 10W, 12W, 25W
 *NOTE – MAX WATTAGE IS LISTED NEXT TO THE SHADE MODEL NUMBER IN SECTION "A". ALL WATTAGES BELOW THAT ARE ALSO AVAILABLE FOR THE SAME MODEL NUMBER.

G – LED COLOR TEMP

27K – 2700 K
 3K – 3000 K
 35K – 3500 K
 4K – 4000 K
 5K – 5000 K

H – ELECTRICAL OPTION

(SEE PAGE 4 FOR DIMMING OPTION SPECIFICATIONS)
LDM10WF
LDM10-10V
LDMTRI

I – GLASS OPTIONS

NOT AVAILABLE

J – ACCESSORIES

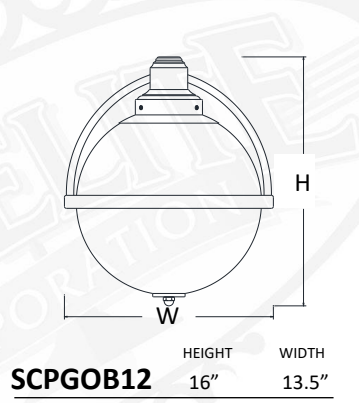
NOT AVAILABLE

K – ACCESSORY COLOR

NOT AVAILABLE

NOTES

- (1). FINISH OPTIONS 20, 21, 22, 23 ARE FOR SOLID BRASS FIXTURES ONLY.
- (2). FINISH OPTIONS 19, 21, 22, 23, 75, 76, 77, 83, 84, 88, 93 AND 98 ARE APPLIED BY HAND. THESE FINISHES WILL VARY IN CONSISTENCY.
- (3). FINISH OPTIONS 19, 38, 39, 40, 49, 54, 57, 58, 61, 62, 63, 70, 71, 72, 73, 78, 83, 84, 88, 92, 93, 98 ONLY AVAILABLE INSIDE AND OUT OF FIXTURE. OTHER FINISHES ARE WHITE INSIDE.
- (4). FINISH OPTIONS 61, 62, 70, 71, 72, 73 ARE FINISHED WITH A SUPERCHROME ON THE INSIDE FOR ALL LED LIGHT SOURCE OPTIONS.
 *ALL FIXTURES MOUNT TO A 4-0 JUNCTION BOX.
 *FIXTURE DIMENSIONS MAY VARY ± 0.25.
- (5). COLOR CORDS ARE NOT APPLICABLE FOR LED OPTIONS.
- (6). MATERIAL – ACRYLIC OPAL BALL



*LARGER SIZES AVAILABLE UPON REQUEST. UP TO 36". THESE SIZES ARE CUSTOM MADE. CALL FACTORY FOR DETAILS.

	HEIGHT	WIDTH
OB8	8"	8"
OB10	10"	10"
OB12	12"	12"
OB14	14"	14"
OB16	16"	16"
OB18	18"	18"
OB20	20"	20"
OB22	22"	22"

	HEIGHT	WIDTH
20B8	16"	16" to 27.75"

*FIXTURE COMES AS SHOWN
 *ALL MOUNTING OPTIONS DO NOT APPLY

	HEIGHT	WIDTH
OBF10	11"	9.5"



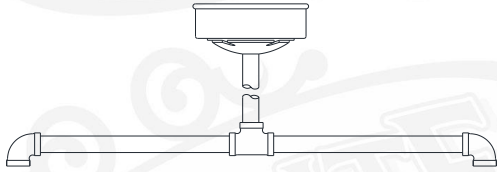
C - MOUNTING OPTIONS

STEM MOUNTS

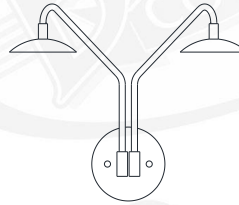
*STEMS RATED FOR DAMP LOCATION

*DP24 COMES STANDARD WITH STC AND ST18

* 1/4" NPT AND 3/4" NPT AVAILABLE UPON REQUEST



DP24 DOUBLE PENDANT



DWM DOUBLE WALL MOUNT



ST(XX) - STEM- 1/2" NPT
XX = LENGTH OF STEM
(EXAMPLE - "ST18" = STEM MOUNT 18" LENGTH)
*CANOPY NOT INCLUDED, ADD IN SECTION D

L.E.D. CORD MOUNTS

*INCANDESCENT MAX WATTAGE 150 WATT. CALL FACTORY FOR HIGHER WATTAGES. LOOPS, CABLES, AND CHAINS AVAILABLE ONLY FOR INCANDESCENT *CORDS RATED FOR DRY LOCATION *CANOPY DIMENSIONS: 4" (H) 5.5"(W)



BLC 8' BLACK CORD
WHC 8' WHITE CORD



TCB 8' BLACK CORD, CABLE, and LOOP
TCW 8' WHITE CORD, CABLE, and LOOP



TCHB 8' BLACK CORD, 3' CHAIN, and LOOP
TCHW 8' WHITE CORD, 3' CHAIN, and LOOP



RCB 8' BLACK CORD, CABLE, and LOOP
RCW 8' WHITE CORD, CABLE, and LOOP

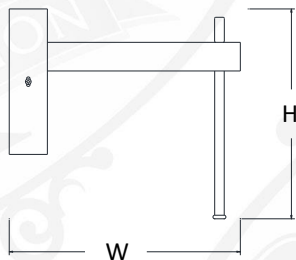


RCHB 8' BLACK CORD, 3' CHAIN, and LOOP
RCHW 8' WHITE CORD, 3' CHAIN, and LOOP



LCHB 8' BLACK CORD, 3' CHAIN, and LOOP
LCHW 8' WHITE CORD, 3' CHAIN, and LOOP
* Loop may vary due to shade style

L.E.D. WALL MOUNT



WM17X HEIGHT 11" WIDTH 12.25"

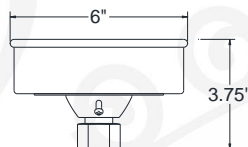


WM21X HEIGHT 4.75" WIDTH 9.5"

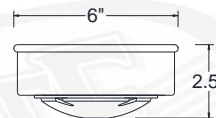
D - MOUNTING ADD-ONS

L.E.D. STEM ADD-ONS

* FOR LED & COMPACT FLUORESCENT OPTIONS, CANOPIES WILL VARY IN SIZE DUE TO SIZE OF THE DRIVER/BALLAST THAT WILL BE LOCATED INSIDE OF THE CANOPY.



LSLC 1/2" SLOPE CEILING CANOPY 1/2"
LSLC 3/4" SLOPE CEILING CANOPY 3/4"
*(Slopes to 20 Degrees)



LSTC 1/2" 1/2" STEM MOUNT CANOPY



D - MOUNTING ADD-ONS (CONTINUED)

UNIVERSAL STEM AND ARM ADD-ONS



LCNK CANOPY For MULTIPLE FIXTURES

*CNK dimensions vary on number of fixtures applied

F – LIGHT SOURCE

BASELITE'S PUBLISHED LUMINAIRE PHOTOMETRIC TESTING WAS PERFORMED IN A 3-METER INTEGRATING SPHERE USING THE 4TT GEOMETRY METHOD. DATA IS CONSIDERED TO BE REPRESENTATIVE OF THE CONFIGURATIONS SHOWN, WITHIN THE TOLERANCES ALLOWED BY LIGHTING FACTS. TO OBTAIN AN IES FILE SPECIFIC TO YOUR PROJECT, PLEASE CONTACT THE FACTORY.

LIGHT EMITTING DIODE (LED)					
LED 10W (MAX) - OB8, OBF10, 2OB8, OB10 LED 25W (MAX) - OB12, OB14, OB16, OB18, OB20, OB22			*IMPORTANT – FOR LIGHT EMITTED DIODE (LED) LIGHT SOURCE OPTION, FIXTURES ARE LIMITED DUE TO SIZE OF THE FIXTURE AND THE CORD WATTAGE RESTRICTIONS. PLEASE SEE MAX WATTAGE AVAILABILITY. EXAMPLE: / LED25W /		
OPTION	WATTAGE	LUMENS	CRI	VOLTAGE	DIMMING
LED10W	10W	1280	>90	120-277 VAC	See section "H"
LED12W	12W	1481	>90	120-277 VAC	See section "H"
LED25W	25W	2812	>90	120-277 VAC	See section "H"
@3500K					

H – ELECTRICAL OPTION

MOST BASELITE'S ELECTRICAL OPTIONS ARE ONLY COMPATIBLE FOR CERTAIN FIXTURES. PLEASE SEE NOTES BELOW AND FOR FURTHER DETAILS CONTACT THE FACTORY. FOR DIMMING BALLAST OPTION, PLEASE CHOOSE MARK X OR MARK VII, SO RESTRICTIONS APPLY DUE TO THE SIZE OF THE BALLAST AND FIXTURE.

LED DIMMING OPTIONS

FOR TRIAC OR 0-10V OPTOIN CHOOSE FROM THE FOLLOWING. CONTACT DRIVER MANUFACTURER FOR SPECIFICATIONS.

*FOR 10WLED OPTION

- **LDM10WF** - TRIAC TRI-ELV – 120V-277V (DIMMING AT 120 VOLT ONLY)

*FOR 12W AND 25W OPTION

- **LDM0-10V** – 0 – 10v (120-277V)
- **LDMTRI** – TRI-ELV (120-277V)