



BASELITE – OPAL BALL – INC – SPECIFICATION SHEET



PROJECT NAME: _____ PROJECT TYPE: _____

MODEL #	/	/	/	/	/	/	/	X	/	X	/	X	/	X	/	X
	A	B	C	D	E	F	G	H	I	J	K					
EXAMPLE:	W513	41	E16	SQ 1/2"	43	100W										

*SKIP SECTION IF OPTION DOES NOT APPLY

NOTES:



A - SHADES

- OPAL BALL (ACRYLIC)**
OB8 - 60WINC (MAX)
OB10 - 100WINC (MAX)
OB12 - 100WINC (MAX)
OB14 - 150WINC (MAX)
OB16 - 150WINC (MAX)
OB18 - 150WINC (MAX)
OB20 - 200WINC (MAX)
OB22 - 200WINC (MAX)
20B8 - 60WINC (MAX)
OBF10 - 60WINC (MAX)

B - FINISH OPTIONS

(SEE WEBSITE FOR SWATCH COLORS)
 (*SEE NOTES FOR LIMITATIONS*)
 14, 15, 16, 17, 18, 19, 19P, 20, 20P, 20PB, 20SB, 21, 21P, 22, 22P, 23, 23P, 38, 39, 40, 41, 41.5, 42, 43, 44, 45, 46, 48, 49, 50, 51, 52, 53, 54, 55, 57, 58, 59, 60, 61, 62, 63, 64, 65, 66, 70, 71, 72, 73, 74, 75, 76, 77, 78, 79, 80, 81, 82, 83, 84, 85, 86, 87, 88, 89, 90, 91, 92, 93, 94, 95, 96, 97, 98, 99, 100, MG.

C – MOUNTING OPTIONS

- STEM MOUNT**
 DP24, DWM, ST6, ST12, ST18, ST24, ST36, ST48, STXX
CORD MOUNT (INC)
 BLC, WHC, TCHB, TCHW, TLB, TLW, LTLB, TLW, RCB, RCW, RCHB, RCHW, FHB, FHW, CBLC, CWHC, CHB, CHW
WALL MOUNT
 WM17, WM21

D – MOUNTING ADD-ONS

INC ADD-ONS
 SLC1/2", SLC3/4", STC1/2"

UNIVERSAL ADD-ONS
 CNK

E – MOUNTING COLOR

SEE SECTION "B" FOR COLOR OPTIONS.

F – LIGHT SOURCE

(SEE PAGE 4 FOR WATTAGE LIMITATIONS)
INCANDESCENT (INC)
 60W, 100W, 150W, 200W

G – LED COLOR TEMP

NOT AVAILABLE

H – ELECTRICAL OPTION

NOT AVAILABLE

I – GLASS OPTIONS

NOT AVAILABLE

J – ACCESSORIES

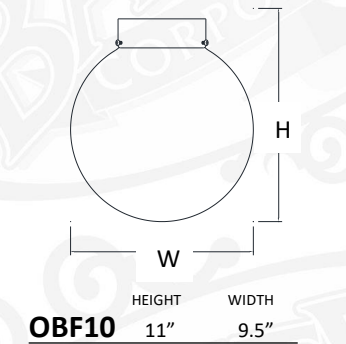
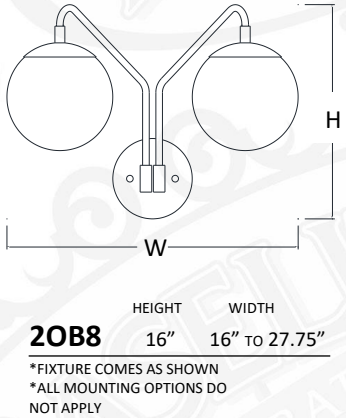
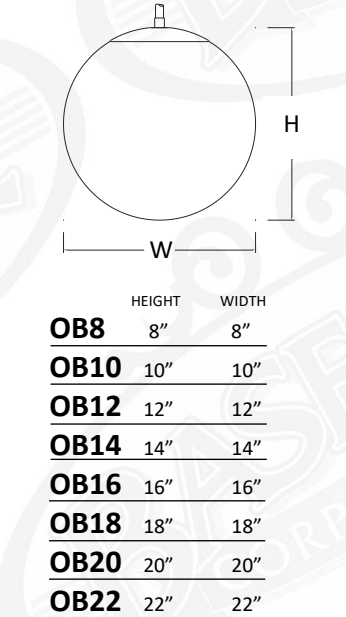
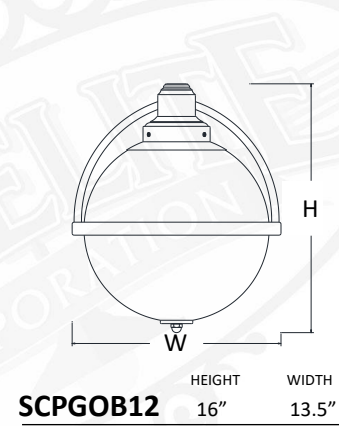
NOT AVAILABLE

K – ACCESSORY COLOR

NOT AVAILABLE

NOTES

- (1). FINISH OPTIONS 20, 21, 22, 23 ARE FOR SOLID BRASS FIXTURES ONLY.
- (2). FINISH OPTIONS 19, 21, 22, 23, 75, 76, 77, 83, 84, 88, 93 AND 98 ARE APPLIED BY HAND. THESE FINISHES WILL VARY IN CONSISTENCY.
- (3). FINISH OPTIONS 19, 38, 39, 40, 49, 54, 57, 58, 61, 62, 63, 70, 71, 72, 73, 78, 83, 84, 88, 92, 93, 98 ONLY AVAILABLE INSIDE AND OUT OF FIXTURE. OTHER FINISHES ARE WHITE INSIDE.
- (4). FINISH OPTIONS 61, 62, 70, 71, 72, 73 ARE FINISHED WITH A SUPERCHROME ON THE INSIDE FOR ALL LED LIGHT SOURCE OPTIONS.
- (5). COLOR CORDS ARE NOT APPLICABLE FOR LED OPTIONS.
 *ALL FIXTURES MOUNT TO A 4-0 JUNCTION BOX.
 *FIXTURE DIMENSIONS MAY VARY ± 0.25.
- (6). MATERIAL – ACRYLIC OPAL BALL





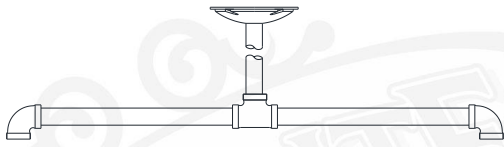
C - MOUNTING OPTIONS

STEM MOUNTS

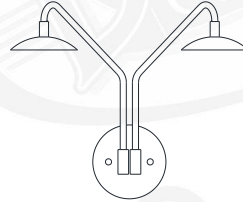
*STEMS RATED FOR DAMP LOCATION

*DP24 COMES STANDARD WITH STC AND ST18

* 1/4" NPT AND 3/4" NPT AVAILABLE UPON REQUEST



DP24 DOUBLE PENDANT



DWM DOUBLE WALL MOUNT



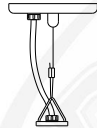
ST(XX) - STEM- 1/2" NPT

INCANDESCENT CORD MOUNTS

*INCANDESCENT MAX WATTAGE 150 WATT. CALL FACTORY FOR HIGHER WATTAGES. LOOPS, CABLES, AND CHAINS AVAILABLE ONLY FOR INCANDESCENT *CORDS RATED FOR DRY LOCATION *CANOPY DIMENSIONS: .625" (H) 5.25"(W)



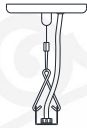
BLC 8' BLACK CORD
WHC 8' WHITE CORD



TCB 8' BLACK CORD, CABLE, and LOOP
TCW 8' WHITE CORD, CABLE, and LOOP



TCHB 8' BLACK CORD, 3' CHAIN, and LOOP
TCHW 8' WHITE CORD, 3' CHAIN, and LOOP



RCB 8' BLACK CORD, CABLE, and LOOP
RCW 8' WHITE CORD, CABLE, and LOOP

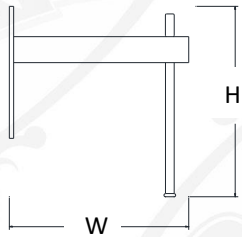


RCHB 8' BLACK CORD, 3' CHAIN, and LOOP
RCHW 8' WHITE CORD, 3' CHAIN, and LOOP

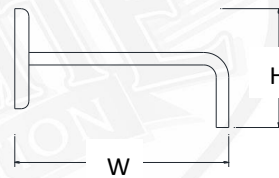


CHB 8' BLACK CORD, 3' CHAIN, and LOOP
CHW 8' WHITE CORD, 3' CHAIN, and LOOP
* Loop may vary due to shade style

INCANDESCENT WALL MOUNT



WM17 HEIGHT 11" WIDTH 10.5"

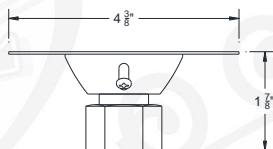


WM21 HEIGHT 4.75" WIDTH 8.5"

D - MOUNTING ADD-ONS

INCANDESCENT STEM ADD-ONS

* FOR LED & COMPACT FLUORESCENT OPTIONS, CANOPIES WILL VARY IN SIZE DUE TO SIZE OF THE DRIVER/BALLAST THAT WILL BE LOCATED INSIDE OF THE CANOPY.



SLC 1/2" SLOPE CEILING CANOPY 1/2"
SLC 3/4" SLOPE CEILING CANOPY 3/4"
*(Slopes to 20 Degrees)



STC 1/2" 1/2" STEM MOUNT CANOPY



D - MOUNTING ADD-ONS (CONTINUED)

UNIVERSAL STEM AND ARM ADD-ONS



CNK CANOPY For MULTIPLE FIXTURES

*CNK dimensions vary on number of fixtures applied

F – LIGHT SOURCE

BASELITE'S PUBLISHED LUMINAIRE PHOTOMETRIC TESTING WAS PERFORMED IN A 3-METER INTEGRATING SPHERE USING THE 4TT GEOMETRY METHOD. DATA IS CONSIDERED TO BE REPRESENTATIVE OF THE CONFIGURATIONS SHOWN, WITHIN THE TOLERANCES ALLOWED BY LIGHTING FACTS. TO OBTAIN AN IES FILE SPECIFIC TO YOUR PROJECT, PLEASE CONTACT THE FACTORY.

INCANDESCENT (INC) MED E26

INC 60W (MAX)- OB8, OBF8, 2OB8
INC 100W (MAX)- OB10, OB12
INC 150W (MAX)- OB14, OB16, OB18
INC 200W (MAX)- OB20, OB22

***IMPORTANT – FOR LIGHT EMITTED DIODE (LED) LIGHT SOURCE OPTION FIXTURES ARE LIMITED DUE TO SIZE OF THE FIXTURE AND THE CORD WATTAGE RESTRICTIONS. PLEASE SEE AVAILABILITY CHART TO THE LEFT.**

EXAMPLE: / INC150W /

OPTION	WATTAGE	LUMENS	CRI	VOLTAGE	DIMMING
60WINC	60W	PER BULB SPECS	>90	120-277 VAC	N/A
100WINC	100W	PER BULB SPECS	>90	120-277 VAC	N/A
150WINC	150W	PER BULB SPECS	>90	120-277 VAC	N/A
200WINC	200W	PER BULB SPECS	>90	120-277 VAC	N/A