



# BASELITE – CHELSEA – LED SPECIFICATION SHEET



PROJECT NAME: \_\_\_\_\_ PROJECT TYPE: \_\_\_\_\_

MODEL #	/	/	/	X	X	/	/	X	X	/	/	X	X
EXAMPLE:	TRW1	41	CBLC			100INC				FC			

NOTES:



TRW1/41-20SB/CBLC/100INC

## A - SHADES

### CHELSEA

- TRW1 (25W LED MAX)
- TRW2 (25W LED MAX)

## B - FINISH OPTIONS

(SEE WEBSITE FOR SWATCH COLORS)  
 (\*SEE NOTES FOR LIMITATIONS\*)  
 14, 15, 16, 17, 18, 19, 19P, 20, 20P, 20PB,  
 20SB, 21, 21P, 22, 22P, 23, 23P, 38, 39, 40,  
 41, 41.5, 42, 43, 44, 45, 46, 48, 49, 50, 51,  
 52, 53, 54, 55, 57, 58, 59, 60, 61, 62, 63, 64,  
 65, 66, 70, 71, 72, 73, 74, 75, 76, 77, 78, 79,  
 80, 81, 82, 83, 84, 85, 86, 87, 88, 89, 90, 91,  
 92, 93, 94, 95, 96, 97, 98, 99, 100, MG.

## C – MOUNTING OPTIONS

**LIGHT EMITTED DIODE (LED)**  
 LCBLC, LCWHC

## D – MOUNTING ADD-ONS

NOT AVAILABLE

## E – MOUNTING COLOR

NOT AVAILABLE

## F – LIGHT SOURCE

(SEE PAGE 2 FOR WATTAGE LIMITATIONS)  
**LIGHT EMITTED DIODE (LED)**  
 10WLED, 12WLED, 25WLED

\*NOTE – MAX WATTAGE IS LISTED NEXT TO THE SHADE MODEL NUMBER IN SECTION “A”. ALL WATTAGES BELOW THAT ARE ALSO AVAILABLE FOR THE SAME MODEL NUMBER.

## G – LED COLOR TEMP

(ONLY APPLICABLE FOR LED LIGHT SOURCE. SKIP THIS SECTION IF OPTION DOES NOT APPLY.)  
 27K – 2700 K\*  
 3K – 3000 K  
 35K – 3500 K  
 4K – 4000 K  
 5K – 5000 K\*

## H – ELECTRICAL OPTION

(SEE PAGE 2 FOR DIMMING OPTION SPECIFICATIONS)  
**LDM120**  
**LDM0-10**

## I – GLASS OPTIONS

NOT AVAILABLE

## J – ACCESSORIES

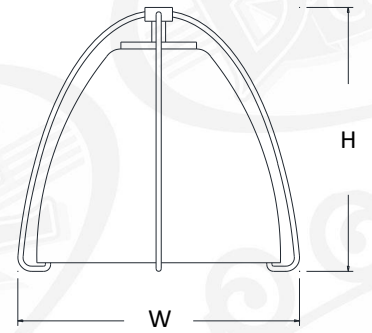
NOT AVAILABLE

## K – ACCESSORY COLOR

NOT AVAILABLE

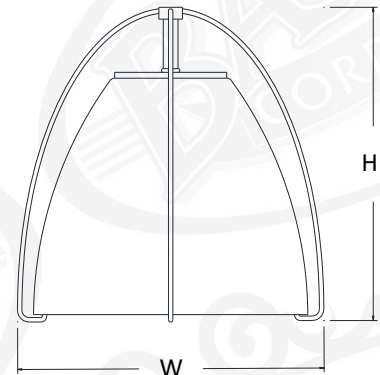
## NOTES

- (1). FINISH OPTIONS 20, 21, 22, 23 ARE FOR SOLID BRASS FIXTURES ONLY.
- (2). FINISH OPTIONS 19, 21, 22, 23, 75, 76, 77, 83, 84, 88, 93 AND 98 ARE APPLIED BY HAND. THESE FINISHES WILL VARY IN CONSISTENCY.
- (3). FINISH OPTIONS 19, 38, 39, 40, 49, 54, 57, 58, 61, 62, 63, 70, 71, 72, 73, 78, 83, 84, 88, 92, 93, 98 ONLY AVAILABLE INSIDE AND OUT OF FIXTURE. OTHER FINISHES ARE WHITE INSIDE.
- (4). FINISH OPTIONS 61, 62, 70, 71, 72, 73 ARE FINISHED WITH A SUPERCHROME ON THE INSIDE FOR ALL LED LIGHT SOURCE OPTIONS.  
 \*ACCORDING TO THE LIGHT SOURCE THE BACKPLATE MAY VARY IN SIZE. (EXAMPLE: LED LIGHT SOURCE WILL HAVE A DEEPER BACKPLATE TO HOUSE THE DRIVER.)  
 \*ALL FIXTURES MOUNT TO A 4-0 JUNCTION BOX.  
 \*FIXTURE DIMENSIONS MAY VARY ± 0.25”.



	HEIGHT	WIDTH
<b>TRW1</b>	9.5”	10.25”

\*Aluminum spun shade



	HEIGHT	WIDTH
<b>TRW2</b>	13.25”	13”

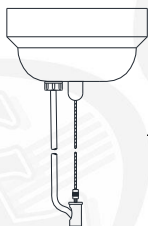
\*Aluminum spun shad



**C - MOUNTING OPTIONS (CONTINUED)**

**LED CORD MOUNTS**

\*FOR LED & COMPACT FLUORESCENT OPTIONS, CANOPIES WILL VARY IN SIZE DUE TO SIZE OF THE DRIVER/BALLAST THAT WILL BE LOCATED INSIDE OF THE CANOPY.  
\*CORDS RATED FOR DRY LOCATION \*CANOPY DIMENSIONS: 4" (H) 5.5" (W) \*CORD AND CANOPY COME IN THE SAME COLOR.



- LCBLC** 8' BLACK CORD & CABLE (INCLUDES CANOPY)
- LCWHC** 8' WHITE CORD & CABLE (INCLUDES CANOPY)

**F – LIGHT SOURCE**

BASELITE'S PUBLISHED LUMINAIRE PHOTOMETRIC TESTING WAS PERFORMED IN A 3-METER INTEGRATING SPHERE USING THE 4TT GEOMETRY METHOD. DATA IS CONSIDERED TO BE REPRESENTATIVE OF THE CONFIGURATIONS SHOWN, WITHIN THE TOLERANCES ALLOWED BY LIGHTING FACTS. TO OBTAIN AN IES FILE SPECIFIC TO YOUR PROJECT, PLEASE CONTACT THE FACTORY.

**LIGHT EMITTING DIODE (LED)**

**LED 25W (MAX)- TRW1, TRW2**

**\*IMPORTANT** – FOR LIGHT EMITTED DIODE (LED) LIGHT SOURCE OPTION, FIXTURES ARE LIMITED DUE TO SIZE OF THE FIXTURE AND THE CORD WATTAGE RESTRICTIONS. PLEASE SEE MAX WATTAGE AVAILABILITY.

EXAMPLE: / LED25W /

OPTION	WATTAGE	LUMENS	CRI	VOLTAGE	DIMMING
LED10W	10W	1570	>90	120-277 VAC	See section "H"
LED12W	12W	1596	>90	120-277 VAC	See section "H"
LED25W	25W	3125	>90	120-277 VAC	See section "H"

@3500K

**H – ELECTRICAL OPTION**

MOST BASELITE'S ELECTRICAL OPTIONS ARE ONLY COMPATIBLE FOR CERTAIN FIXTURES. PLEASE SEE NOTES BELOW AND FOR FURTHER DETAILS CONTACT THE FACTORY.

LED DIMMING OPTIONS

FOR TRIAC OR 0-10V OPTOIN CHOOSE FROM THE FOLLOWING. CONTACT DRIVER MANUFACTURER FOR SPECIFICATIONS.

- LDM120** - TRIAC DIMMING AT 120 VOLT
- LDM0-10V** – 0 – 10v