



BASELITE – CHELSEA – INC SPECIFICATION SHEET



PROJECT NAME: _____ PROJECT TYPE: _____

MODEL #	/	/	/	X	X	/	/	X	X	/	/	X	X
EXAMPLE:	TRW1	41	CBLC			100INC				FC			

NOTES:



TRW1/41-20SB/CBLC/100INC

A – SHADES

CHELSEA

TRW1 (150W INC MAX)

TRW2 (150W INC MAX)

B – FINISH OPTIONS

(SEE WEBSITE FOR SWATCH COLORS)
(*SEE NOTES FOR LIMITATIONS*)

14, 15, 16, 17, 18, 19, 19P, 20, 20P, 20PB, 20SB, 21, 21P, 22, 22P, 23, 23P, 38, 39, 40, 41, 41.5, 42, 43, 44, 45, 46, 48, 49, 50, 51, 52, 53, 54, 55, 57, 58, 59, 60, 61, 62, 63, 64, 65, 66, 70, 71, 72, 73, 74, 75, 76, 77, 78, 79, 80, 81, 82, 83, 84, 85, 86, 87, 88, 89, 90, 91, 92, 93, 94, 95, 96, 97, 98, 99, 100, MG.

C – MOUNTING OPTIONS

INCANDESCENT (INC)

CBLC, CWHC

D – MOUNTING ADD-ONS

NOT AVAILABLE

E – MOUNTING COLOR

NOT AVAILABLE

F – LIGHT SOURCE

(SEE PAGE 2 FOR WATTAGE LIMITATIONS)

INCANDESCENT (INC)

150W, 200W

G – LED COLOR TEMP

NOT AVAILABLE

H – ELECTRICAL OPTION

NOT AVAILABLE

I – GLASS OPTIONS

*(IF A GLASS OPTION ISN'T CHOSEN THE FIXTURE DEFAULTS TO AN ALUMINUM SHADE).
FR – FROSTED GLASS
FC – CHARCOAL GLASS

J – ACCESSORIES

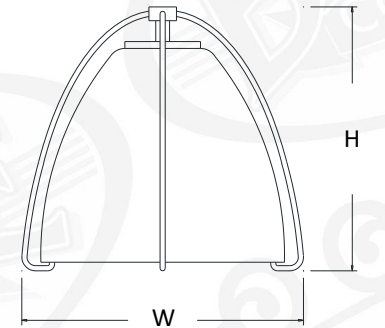
NOT AVAILABLE

K – ACCESSORY COLOR

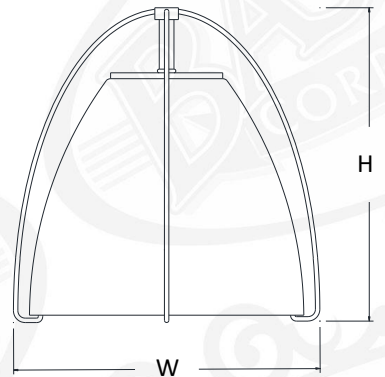
NOT AVAILABLE

NOTES

- (1). FINISH OPTIONS 20, 21, 22, 23 ARE FOR SOLID BRASS FIXTURES ONLY.
- (2). FINISH OPTIONS 19, 21, 22, 23, 75, 76, 77, 83, 84, 88, 93 AND 98 ARE APPLIED BY HAND. THESE FINISHES WILL VARY IN CONSISTENCY.
- (3). FINISH OPTIONS 19, 38, 39, 40, 49, 54, 57, 58, 61, 62, 63, 70, 71, 72, 73, 78, 83, 84, 88, 92, 93, 98 ONLY AVAILABLE INSIDE AND OUT OF FIXTURE. OTHER FINISHES ARE WHITE INSIDE.
- (4). FINISH OPTIONS 61, 62, 70, 71, 72, 73 ARE FINISHED WITH A SUPERCHROME ON THE INSIDE FOR ALL LED LIGHT SOURCE OPTIONS.
*ACCORDING TO THE LIGHT SOURCE THE BACKPLATE MAY VARY IN SIZE.
(EXAMPLE: LED LIGHT SOURCE WILL HAVE A DEEPER BACKPLATE TO HOUSE THE DRIVER.)
*ALL FIXTURES MOUNT TO A 4-0 JUNCTION BOX.
*FIXTURE DIMENSIONS MAY VARY ± 0.25".



	HEIGHT	WIDTH
TRW1	9.5"	10.25"



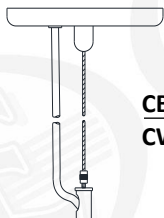
	HEIGHT	WIDTH
TRW2	13.25"	13"



C - MOUNTING OPTIONS (CONTINUED)

INCANDESCENT CORD MOUNTS

*INCANDESCENT MAX WATTAGE 150 WATT. CALL FACTORY FOR HIGHER WATTAGES. *CORDS RATED FOR DRY LOCATION



- CBLC** 8' BLACK CORD & CABLE (INCLUDES CANOPY) INC
- CWHC** 8' WHITE CORD & CABLE (INCLUDES CANOPY) INC

F – LIGHT SOURCE

BASELITE'S PUBLISHED LUMINAIRE PHOTOMETRIC TESTING WAS PERFORMED IN A 3-METER INTEGRATING SPHERE USING THE 4TT GEOMETRY METHOD. DATA IS CONSIDERED TO BE REPRESENTATIVE OF THE CONFIGURATIONS SHOWN, WITHIN THE TOLERANCES ALLOWED BY LIGHTING FACTS. TO OBTAIN AN IES FILE SPECIFIC TO YOUR PROJECT, PLEASE CONTACT THE FACTORY.

INCANDESCENT (INC) <small>MED E26</small>					
INC 150W (MAX) – TRW1, TRW2			<p>*IMPORTANT – FOR INCANDESCENT (INC) LIGHT SOURCE OPTION, FIXTURES ARE LIMITED DUE TO SIZE OF THE FIXTURE AND THE CORD WATTAGE RESTRICTIONS. PLEASE SEE AVAILABILITY CHART TO THE LEFT.</p> <p>EXAMPLE: / INC150W /</p>		
OPTION	WATTAGE	LUMENS	CRI	VOLTAGE	DIMMING
150WINC	150W	PER BULB SPECS	>90	120-277 VAC	N/A

I – GLASS OPTION

BASELITE OFFERS A FROSTED GLASS OPTION AND A FROSTED CHARCOAL GLASS OPTION. IF A GLASS OPTION IS NOT SELECTED THE FIXTURE WILL DEFAULT TO AN ALUMINUM SHADE THAT WILL BE POWDER COATED WITH THE FINISH OPTION SELECTED IN SECTION "B". * (TWO FINISH OPTION ARE AVAILABLE FOR THIS FIXTURE).



FR - FROSTED GLASS



FC - FROSTED CHARCOAL GLASS

*GLASS WHEN ILLUMINATED

