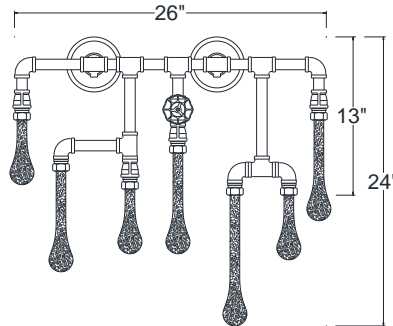




WATER PIPE LIGHT

SPECIFICATION SHEET



MODEL: WPW7

PREPARED BY: _____
 TYPE: _____
 JOB NAME: _____
 DATE: _____
 CERTIFICATION: UL LISTED

WPW7/21P/LED/10W/LWTM

FINISH – Five stage pretreatment process, coated with a lead free TGI C polyester powder coat finish. *Some finish options excluded. See color chart below for color options (unless specified). Some finish options are not available for certain fixtures. Custom colors and Marine options are available upon request.

LAMP HOLDERS – Accommodates **LED** – 1 watt diode per droplet.

MOUNTING – Available with wall mounting. Fixtures are pre-wired with leads.

REFLECTOR – This fixture is made from a high grade 356 cast aluminum and clear glass droplets.

MODEL #	FINISH	LIGHT SOURCE				MOUNTING OPTIONS	ACCESSORIES
		INC	CF*	MH*	LED		
WPW7	14, 15, 16, 17, 18, 19*, 19P, 20, 20P, 21, 21P*, 22P*, 22, 23, 23P*, 38, 39, 40*, 41, 42, 43, 44, 45, 46, 48*, 49*, 50, 51, 52, 53, 54*, 55, 57*, 58*, 59, 60, 61*, 62*, 63*, 64, 65, 66, 70*, 71*, 72*, 73*, 74, 75, 76, 77, 78*, 79, 80, 81, 82, 83,* 84*, 85, 86, 87, 88*, 89, 90, 91, 92*, 93*, 94*, 95, 96, 97, 98*, 99, 100	N/A	N/A	N/A	7-1W	WALL MOUNT	N/A

* same finish color inside and out.
 * remote ballast / driver.

.SUBJECT TO MODIFICATION WITHOUT NOTICE.



BASELITE CORPORATION
 12260 EAST END AVE.
 CHINO, CA 91710

PH: 877-999-1990
 WEB: WWW.BASELITE.COM
 EMAIL: SALES@BASELITE.COM

