

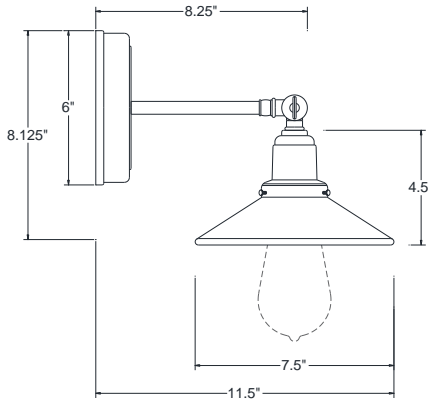


FARM HOUSE

SPECIFICATION SHEET



S2H10/99/WM20/99/60INC



MODEL: S2H10

PREPARED BY: _____

TYPE: _____

JOB NAME: _____

DATE: _____

CERTIFICATION: UL LISTED

FINISH – Five stage pretreatment process, coated with a lead free TGI C polyester powder coat finish. White is standard inside reflectors, *some finish options excluded. See color chart below for color options (unless specified). Some finish options are not available for certain fixtures. Custom colors and Marine options are available upon request.

LAMP HOLDERS – Accommodates **Incandescent** – medium base porcelain socket, copper shell with nickel plate, rated 250v, 660W.

MOUNTING – Available with cord or stem mounting. Supplied with 1/2" or 3/4" tapped hub with stem mounting. Fixtures are pre-wired with 48" or 96" leads or 96" cord.

REFLECTOR – Spun from heavy gauge 1100-0 aluminum, ranging in thickness from .050 to .125. Galvanized is from 20 gauge sheets. Glass mirror paneling inside reflector.

MODEL #	FINISH	LIGHT SOURCE				MOUNTING OPTIONS	ACCESSORIES
		INC	CF*	MH*	LED		
S2H10	14, 15, 16, 17, 18, 19*, 19P, 20, 20P, 21, 21P*, 22P*, 22, 23, 23P*, 38, 39, 40*, 41, 42, 43, 44, 45, 46, 48*, 49*, 50, 51, 52, 53, 54*, 55, 57*, 58*, 59, 60, 61*, 62*, 63*, 64, 65, 66, 70*, 71*, 72*, 73*, 74, 75, 76, 77, 78*, 79, 80, 81, 82, 83*, 84*, 85, 86, 87, 88*, 89, 90, 91, 92*, 93*, 94*, 95, 96, 97, 98*, 99, 100	60W	N/A	N/A	N/A	CORD MOUNT, STEM MOUNT, WALL MOUNT	N/A

* same finish color inside and out.
* remote ballast / driver.

.SUBJECT TO MODIFICATION WITHOUT NOTICE.



BASELITE CORPORATION
12260 EAST END AVE.
CHINO, CA 91710

PH: 877-999-1990
WEB: WWW.BASELITE.COM
EMAIL: SALES@BASELITE.COM

