

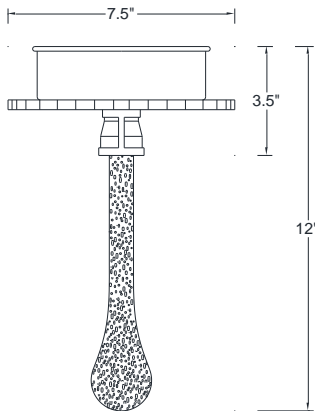


# WATER PIPE LIGHTS

## SPECIFICATION SHEET



WPF1/74/LED/1-1W/GRTE



**MODEL: WPF1**

PREPARED BY: \_\_\_\_\_

TYPE: \_\_\_\_\_

JOB NAME: \_\_\_\_\_

DATE: \_\_\_\_\_

CERTIFICATION: UL LISTED

**FINISH** – Five stage pretreatment process, coated with a lead free TGI C polyester powder coat finish. \*Some finish options excluded. See color chart below for color options (unless specified). Some finish options are not available for certain fixtures. Custom colors and Marine options are available upon request.

**LAMP HOLDERS** – Accommodates LED – 1 watt diode per droplet.

**MOUNTING** – Available with ceiling mount. Fixtures are pre-wired with leads.

**REFLECTOR** – This fixture is made from a high grade 356 cast aluminum and clear glass droplets.

| MODEL # | FINISH  | LIGHT SOURCE |     |     |      | MOUNTING OPTIONS | ACCESSORIES |
|---------|---|--------------|-----|-----|------|------------------|-------------|
|         |   | INC          | CF* | MH* | LED  |                  |             |
| WPF1    | 14, 15, 16, 17, 18, 19*, 19P, 20, 20P, 21, 21P*, 22P*, 22, 23, 23P*, 38, 39, 40*, 41, 42, 43, 44, 45, 46, 48*, 49*, 50, 51, 52, 53, 54*, 55, 57*, 58*, 59, 60, 61*, 62*, 63*, 64, 65, 66, 70*, 71*, 72*, 73*, 74, 75, 76, 77, 78*, 79, 80, 81, 82, 83,* 84*, 85, 86, 87, 88*, 89, 90, 91, 92*, 93*, 94*, 95, 96, 97, 98*, 99, 100 | N/A          | N/A | N/A | 1-1W | FLUSH MOUNT      | N/A         |

\* same finish color inside and out.

\* remote ballast / driver.

.SUBJECT TO MODIFICATION WITHOUT NOTICE.



BASELITE CORPORATION  
12260 EAST END AVE.  
CHINO, CA 91710

PH: 877-999-1990  
WEB: WWW.BASELITE.COM  
EMAIL: SALES@BASELITE.COM

