

# SHADE STYLES



MODEL # FW18

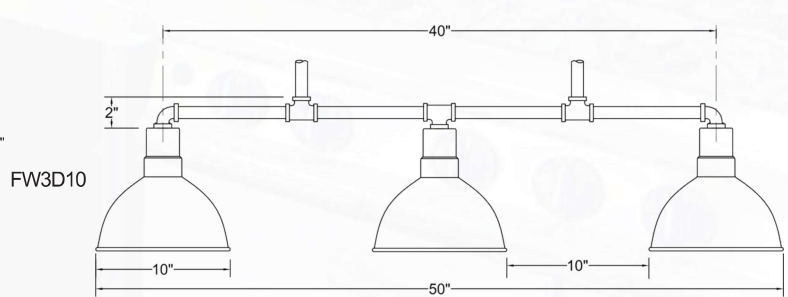
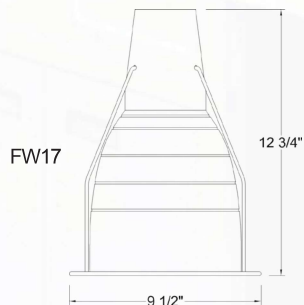
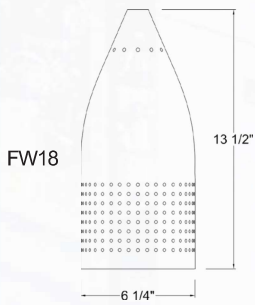


MODEL # FW17



MODEL # FW3D10/TP40

\*CUSTOM OPTIONS AVAILABLE (SHADE STYLE, NUMBER OF SHADES, LENGTH, HEIGHT, ETC.). CALL FOR DETAILS.



## SPECIFICATIONS

- COPPER, BRASS AND NICKEL FINISH OPTIONS NOT AVAILABLE FOR THE FOLLOWING FIXTURES : FWCYS610, FWCY610, FWPEH, FWPEN, FWPEO, FW18, FW1248, FW1272.
- WHEN ORDERING ACCESSORIES FOR THE FW1272 FIXTURE, MUST ORDER A QUANTITY OF 2 (ACCESSORIES : TSC, TSR, TSF).
- 375W BULB NOT AVAILABLE FOR MODEL # : FWCYS610, FWCY610, FWPEH, FWPEJ, FW15, FW600, FW16, FW12, FW18, FW1248, FW1272 - FINISH OPTIONS : PB, SB, 40, PN - ACCESSORY : TSF