

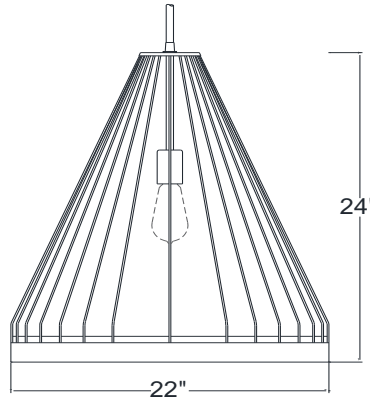


# MACHINE AGE

SPECIFICATION SHEET



BC24/38/ST18/1/4/60WINC



**MODEL: BC24**

PREPARED BY: \_\_\_\_\_  
 TYPE: \_\_\_\_\_  
 JOB NAME: \_\_\_\_\_  
 DATE: \_\_\_\_\_  
 CERTIFICATION: UL LISTED

**FINISH** – Five stage pretreatment process, coated with a lead free TGI C polyester powder coat finish. White is standard inside reflectors, \*some finish options excluded. See color chart below for color options (unless specified). Some finish options are not available for certain fixtures. Custom colors and Marine options are available upon request.

**LAMP HOLDERS** – Accommodates **Incandescent** – medium base porcelain socket, copper shell with nickel plate, rated 250V, 660W.

**MOUNTING** – Available with cord or stem mounting. Fixtures are pre-wired with 48” or 96” leads or 96” cord.

**REFLECTOR** – Spun from heavy gauge 1100-0 aluminum, ranging in thickness from .050 to .125. Steel wire and aluminum tubing.

MODEL #	FINISH	LIGHT SOURCE				MOUNTING OPTIONS	ACCESSORIES
		INC	CF*	MH*	LED		
BC24	14, 15, 16, 17, 18, 19*, 19P, 20, 20P, 21, 21P*, 22P*, 22, 23, 23P*, 38, 39, 40*, 41, 42, 43, 44, 45, 46, 48*, 49*, 50, 51, 52, 53, 54*, 55, 57*, 58*, 59, 60, 61*, 62*, 63*, 64, 65, 66, 70*, 71*, 72*, 73*, 74, 75, 76, 77, 78*, 79, 80, 81, 82, 83,* 84*, 85, 86, 87, 88*, 89, 90, 91, 92*, 93*, 94*, 95, 96, 97, 98*, 99, 100	150W (MAX)	N/A	N/A	N/A	CORD, STEM	N/A

\* same finish color inside and out.  
 \* remote ballast / driver.

.SUBJECT TO MODIFICATION WITHOUT NOTICE.



BASELITE CORPORATION  
 12260 EAST END AVE.  
 CHINO, CA 91710

PH: 877-999-1990  
 WEB: WWW.BASELITE.COM  
 EMAIL: SALES@BASELITE.COM

