

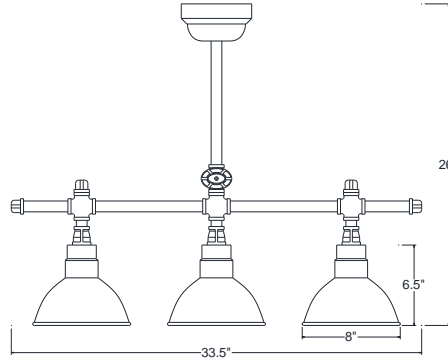


MACHINE AGE

SPECIFICATION SHEET



3D608S/78-98/ST12/3-60INC



MODEL: 3D608S

PREPARED BY: _____
 TYPE: _____
 JOB NAME: _____
 DATE: _____
 CERTIFICATION: UL LISTED

FINISH – Five stage pretreatment process, coated with a lead free TGI C polyester powder coat finish. White is standard inside reflectors, *some finish options excluded. See color chart below for color options (unless specified). Some finish options are not available for certain fixtures. Custom colors and Marine options are available upon request.

LAMP HOLDERS – Accommodates **Incandescent** – medium base porcelain socket, copper shell with nickel plate, rated 250v, 660W.
LED – Designed to last with up to 50,000 hours, depending on installation location and ambient temperature.

MOUNTING – Available with stem or wall mounting. Supplied with 1/2" tapped hub with stem mounting. Fixtures are pre-wired with 48" or 96" leads.

REFLECTOR – Shades spun from heavy gauge 1100-0 aluminum, ranging in thickness from .050 to .125. Galvanized is from 20 gauge sheets. Copper is spun from .040 gauge and 110 soft alloy. Mounted with aluminum tubing and steel fittings.

| MODEL # | FINISH | LIGHT SOURCE | | | | MOUNTING OPTIONS | ACCESSORIES |
|---------|---|--------------|-----|-----|-------------|------------------------|-------------|
| | | INC | CF* | MH* | LED | | |
| 3D608S | 14, 15, 16, 17, 18, 19*, 19P, 20, 20P, 21, 21P*, 22P*, 22, 23, 23P*, 38, 39, 40*, 41, 42, 43, 44, 45, 46, 48*, 49*, 50, 51, 52, 53, 54*, 55, 57*, 58*, 59, 60, 61*, 62*, 63*, 64, 65, 66, 70*, 71*, 72*, 73*, 74, 75, 76, 77, 78*, 79, 80, 81, 82, 83*, 84*, 85, 86, 87, 88*, 89, 90, 91, 92*, 93*, 94*, 95, 96, 97, 98*, 99, 100 | 3-100W (MAX) | N/A | N/A | 3-25W (MAX) | STEM MOUNT, WALL MOUNT | N/A |

* same finish color inside and out.
 * remote ballast / driver.

.SUBJECT TO MODIFICATION WITHOUT NOTICE.



BASELITE CORPORATION
 12260 EAST END AVE.
 CHINO, CA 91710

PH: 877-999-1990
 WEB: WWW.BASELITE.COM
 EMAIL: SALES@BASELITE.COM

