

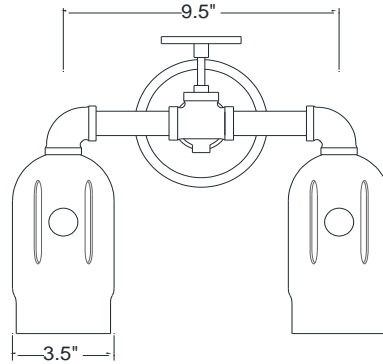


# MACHINE AGE

## SPECIFICATION SHEET



2WT3S/65/E18/2-60INC



**MODEL: 2WT3S**

PREPARED BY: \_\_\_\_\_

TYPE: \_\_\_\_\_

JOB NAME: \_\_\_\_\_

DATE: \_\_\_\_\_

CERTIFICATION: UL LISTED

**FINISH** – Five stage pretreatment process, coated with a lead free TGI C polyester powder coat finish. White is standard inside reflectors, \*some finish options excluded. See color chart below for color options (unless specified). Some finish options are not available for certain fixtures. Custom colors and Marine options are available upon request.

**LAMP HOLDERS** – Accommodates **Incandescent** – medium base porcelain socket, copper shell with nickel plate, rated 250v, 660W.

**LED** – Designed to last with up to 50,000 hours, depending on installation location and ambient temperature.

**MOUNTING** – Available with stem mount or wall mount. Supplied with 1/2" tapped hub with stem mounting.

**REFLECTOR** – Cast aluminum fixture with aluminum tubing and steel fittings for the mounting.

MODEL #	FINISH	LIGHT SOURCE				MOUNTING OPTIONS	ACCESSORIES
		INC	CF*	MH*	LED		
2WT3S	14, 15, 16, 17, 18, 19*, 19P, 20, 20P, 21, 21P*, 22P*, 22, 23, 23P*, 38, 39, 40*, 41, 42, 43, 44, 45, 46, 48*, 49*, 50, 51, 52, 53, 54*, 55, 57*, 58*, 59, 60, 61*, 62*, 63*, 64, 65, 66, 70*, 71*, 72*, 73*, 74, 75, 76, 77, 78*, 79, 80, 81, 82, 83*, 84*, 85, 86, 87, 88*, 89, 90, 91, 92*, 93*, 94*, 95, 96, 97, 98*, 99, 100	2-60W (MAX)	N/A	N/A	2-10W (MAX)	STEM MOUNT, WALL MOUNT	N/A

\* same finish color inside and out.

\* remote ballast / driver.

.SUBJECT TO MODIFICATION WITHOUT NOTICE.



BASELITE CORPORATION  
12260 EAST END AVE.  
CHINO, CA 91710

PH: 877-999-1990  
WEB: WWW.BASELITE.COM  
EMAIL: SALES@BASELITE.COM

