



BASELITE BRAXTON COLLECTION

PROJECT NAME: _____
PROJECT TYPE: _____

MODEL # / / / X / X / / X / X / X / X / X

 A B C D E F G H I J K

EXAMPLE: BTD16 416 BLC - - 100W - - - - -

*SKIP SECTION IF OPTION DOES NOT APPLY

NOTES:



A - SHADES

- BRAXTON**
BTC12
BTC14
BTC16
BTW16
BTD16

B - FINISH OPTIONS

- G15-GHOST POWDER BLUE
G41-GHOST GLOSS BLACK
78-CHALKBOARD BLACK
G43-GHOST RED
G44-GHOST WHITE
G97-GHOST BATTLESHIP GREY

C - MOUNTING OPTIONS

INCANDESCENT (INC)
BLC, WHC

F - LIGHT SOURCE

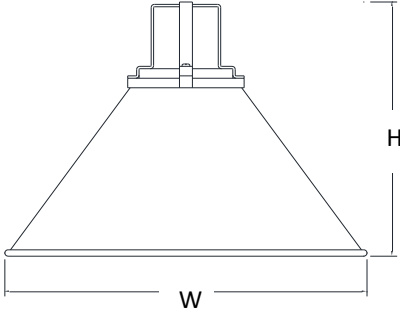
INCANDESCENT (INC)
100W 150W 200W

NOTES

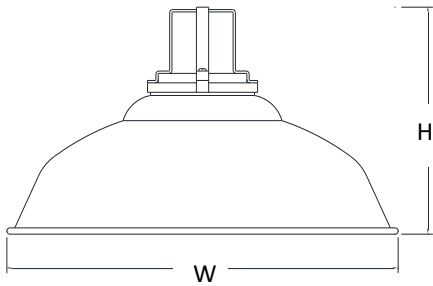
- *ALL FIXTURES MOUNT TO A 40 JUNCTION BOX.
- *FIXTURE DIMENSIONS MAY VARY ± 0.25.

A - SHADES

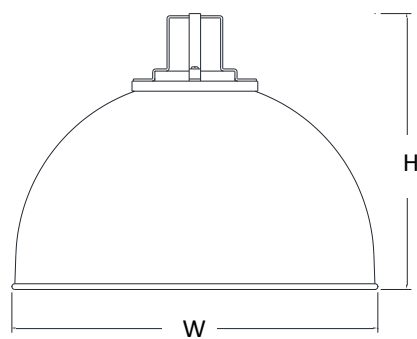
BRAXTON COLLECTION



	HEIGHT	WIDTH
BTC12	8"	12"
BTC14	10"	14"
BTC16	12"	16"



	HEIGHT	WIDTH
BTW16	9"	16"



	HEIGHT	WIDTH
BTD16	12"	16"

B - FINISH OPTIONS (SEE FINISH OPTION SWATCHES ON WEBSITE)

- 16-DISTRESSED TURQUOISE 17-DISTRESSED CHALK 18-MINT GREEN 19-ANTIQUÉ ALUMINUM* 19P-ANTIQUÉ ALUMINUM 20-RAW BRASS 20P-BRASS 20PB-POLISHED BRASS 20SB-SATIN BRASS 21-OIL RUBBED BRONZE* 21P-OIL RUBBED BRONZE 22-OLD PEWTER* 22P-OLD PEWTER PC 23-OLD COPPER PATINA* 23P-OLD COPPER PATINA 38-COPPER TINT 39-RAW COPPER 40-COPPER CLEAR COAT 41-GLOSS BLACK 41.5-MATTE BLACK 42-DARK GREEN 43-RED 44-WHITE 45-MEDIUM BLUE 46-YELLOW 48-POLISHED ALUMINUM 49-GALVANIZED 50-NAVY BLUE 51-ARCHITECTURAL BRONZE 52-PATINA 53-RUST 54-STUCCO 55-SAGE 57-POLISHED ALUMINUM CC 58-SATIN ALUMINUM 59-COPPER TONE 60-CANAL GREEN 61-ANODIZED CHARCOAL 62-ANODIZED BRONZE 63-IRON RUST 64- WROUGHT IRON 65-TERRACOTTA 66-BARK 70-TRANSPARENT RED 71-TRANSPARENT GREEN 72-TRANSPARENT WINE 73-TRANSPARENT NAVY 74-GUN METAL 75-DISTRESSED RED 76-DISTRESSED BLUE 77-DISTRESSED GREEN 78-CHALKBOARD BLACK 79-GHOST ORANGE 80-PALE GOLD 81-METALLIC BRONZE 82-BLACK GOLD 83-SHOCKER GREEN 84-FADDED BLUE 85-COBBLESTONE 86-BRONZE COPPER 87-CHAMPAGNE 88-FLAMED STEEL 89-TAUPE 90-LIME GREEN 91-PACIFIC PINE 92-ANTIQUÉ GALVANIZED STEEL 89-TAUPE 90-LIME GREEN 91-PACIFIC PINE 92-ANTIQUÉ GALVANIZED STEEL 93-FADDED COPPER 94-ANODIZED ALUMINUM 95-TURQUOISE 96-PURPLE 97-BATTLESHIP GREY 98-BLACKENED PIPE 99-STEEL 100-OLD STEEL PN-POLISHED NICKEL (MG)- MARINE GRADE FINISH- AVAILABLE UPON REQUEST.

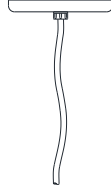


C - MOUNTING OPTIONS (CONTINUED)

INCANDESCENT

*INCANDESCENT MAX WATTAGE 150 WATT. CALL FACTORY FOR HIGHER WATTAGES. LOOPS, CABLES, AND CHAINS AVAILABLE ONLY FOR INCANDESCENT

*CORDS RATED FOR DRY LOCATION



BLC 8' BLACK CORD (INCLUDES CANOPY) INC
WHC 8' WHITE CORD (INCLUDES CANOPY) INC

F – LIGHT SOURCE

BASELITE’S PUBLISHED LUMINAIRE PHOTOMETRIC TESTING WAS PERFORMED IN A 3-METER INTEGRATING SPHERE USING THE 4TT GEOMETRY METHOD. DATA IS CONSIDERED TO BE REPRESENTATIVE OF THE CONFIGURATIONS SHOWN, WITHIN THE TOLERANCES ALLOWED BY LIGHTING FACTS. TO OBTAIN AN IES FILE SPECIFIC TO YOUR PROJECT, PLEASE CONTACT THE FACTORY.

INCANDESCENT (INC) MED E26					
INC 100W- BTW16 INC 150W- BTC12 INC 200W- BTC14, BTC16			<p><i>*IMPORTANT – FOR INCANDESCENT (INC) LIGHT SOURCE OPTION, FIXTURES ARE LIMITED DUE TO SIZE OF THE FIXTURE AND THE CORD WATTAGE RESTRICTIONS. PLEASE SEE AVAILABILITY CHART TO THE LEFT.</i></p> <p>EXAMPLE: / INC150W /</p>		
OPTION	WATTAGE	LUMENS	CRI	VOLTAGE	DIMMING
100WINC	100W	PER BULB SPECS	>90	120-277 VAC	N/A
150WINC	150W	PER BULB SPECS	>90	120-277 VAC	N/A
200WINC	200W	PER BULB SPECS	>90	120-277 VAC	N/A