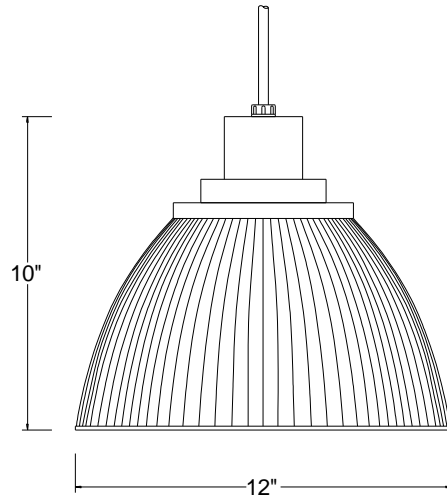




# COMMERCIAL



PDP12.48.BLC.INC



**MODEL: PDP12**

PREPARED BY: \_\_\_\_\_

TYPE: \_\_\_\_\_

JOB NAME: \_\_\_\_\_

DATE: \_\_\_\_\_

CERTIFICATION: UL LISTED

**FINISH** – Five stage pretreatment process, coated with a lead free TGI C polyester powder coat finish. White is standard inside reflectors, \*some finish options excluded. See color chart below for color options (unless specified). Some finish options are not available for certain fixtures. Custom colors and Marine options are available upon request.

**LAMP HOLDERS** – Accommodates **Incandescent** – medium base porcelain socket, copper shell with nickel plate, rated 250v, 660W. **Compact Fluorescent** – 4 pin heat resistant thermoplastic socket accommodates 26/32W (Gx24q-3 base). Twist lock design provides stability against vibration and is earthquake resistance. Rated 75W, 60V. **LED** – Designed to last with up to 50,000 hours, depending on installation location and ambient temperature (not available with colored cloth cords).

**MOUNTING** – Available with cord, arm or stem mounting. Supplied with 1/2" or 3/4" tapped hub with stem mounting. Fixtures are pre-wired with 48" or 96" leads or 96" cord.

**REFLECTOR** – Spun from heavy gauge 1100-0 aluminum, ranging in thickness from .050 to .125. Acrylic prismatic dome.

MODEL #	FINISH	LIGHT SOURCE				MOUNTING OPTIONS	ACCESSORIES
		INC	CF*	MH*	LED		
PDP12	18, 19*, 19P, 21P*, 22P*, 23P*, 40*, 41, 42, 43, 44, 45, 46, 48*, 49*, 50, 51, 52, 53, 54*, 55, 57*, 58*, 59, 60, 61*, 62*, 63*, 70*, 71*, 72*, 73*, 74, 75, 76, 77, 78*, 79, 80, 81, 82, 83,* 84*, 85, 86, 87, 88*, 89, 90, 91, 92*, 93*, 94*, 95, 96, 97, 98*, 99, PN	150W	26W, 32W, 42W	N/A	25W	CORD, STEM, ARM EXTENSION	SEE CATALOG FOR ACCESSORY OPTIONS.

\* same finish color inside and out.  
\* remote ballast / driver.

.SUBJECT TO MODIFICATION WITHOUT NOTICE.



BASELITE CORPORATION  
12260 EAST END AVE.  
CHINO, CA 91710

PH: 877-999-1990  
WEB: WWW.BASELITE.COM  
EMAIL: SALES@BASELITE.COM

