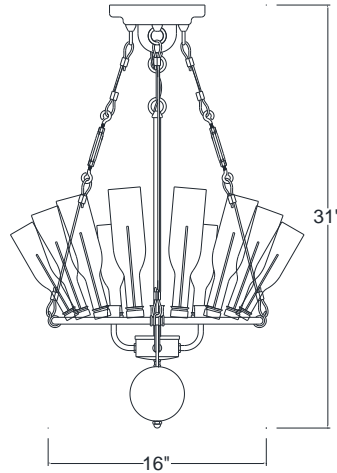




# MACHINE AGE



BC16/100/4-25WINC



**MODEL: BC16**

PREPARED BY: \_\_\_\_\_

TYPE: \_\_\_\_\_

JOB NAME: \_\_\_\_\_

DATE: \_\_\_\_\_

CERTIFICATION: UL LISTED

**FINISH** – Five stage pretreatment process, coated with a lead free TGI C polyester powder coat finish. White is standard inside reflectors, \*some finish options excluded. See color chart below for color options (unless specified). Some finish options are not available for certain fixtures. Custom colors and Marine options are available upon request.

**LAMP HOLDERS** – Accommodates **Incandescent** – candelabra porcelain socket, copper shell with nickel plate, rated 25v, 75W.

**MOUNTING** – Available with cable and cord. Fixtures are pre-wired with leads.

**REFLECTOR** – Spun from heavy gauge 1100-0 aluminum, ranging in thickness from .050 to .125. Galvanized is from 20 gauge sheets. 16 clear glass wine bottles.

MODEL #	FINISH	LIGHT SOURCE				MOUNTING OPTIONS	ACCESSORIES
		INC	CF*	MH*	LED		
BC16	18, 19*, 19P, 21P*, 22P*, 23P*, 40*, 41, 42, 43, 44, 45, 46, 48*, 49*, 50, 51, 52, 53, 54*, 55, 57*, 58*, 59, 60, 61*, 62*, 63*, 70*, 71*, 72*, 73*, 74, 75, 76, 77, 78*, 79, 80, 81, 82, 83,* 84*, 85, 86, 87, 88*, 89, 90, 91, 92*, 93*, 94*, 95, 96, 97, 98*, 99, PN	4-25W	N/A	N/A	N/A	CABLE, CORD	N/A

\* same finish color inside and out.  
\* remote ballast / driver.

.SUBJECT TO MODIFICATION WITHOUT NOTICE.



BASELITE CORPORATION  
12260 EAST END AVE.  
CHINO, CA 91710

PH: 877-999-1990  
WEB: WWW.BASELITE.COM  
EMAIL: SALES@BASELITE.COM

