

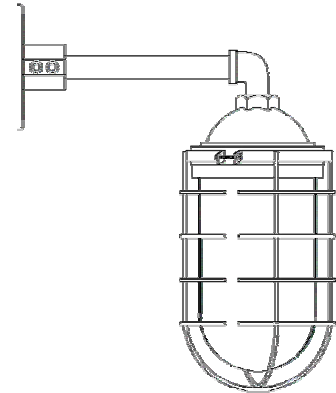
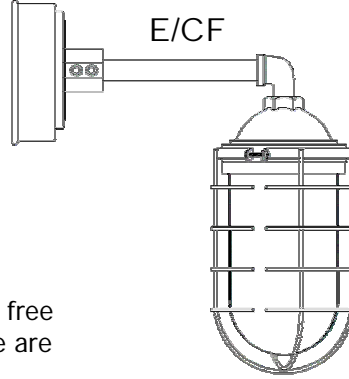
S E R I E S - E

PREPARED BY: _____

TYPE: _____

JOB NAME: _____

CERTIFICATION: UL LISTED WET LOCATION



FINISH-Five stage pretreatment process, coated with a lead free TGI C polyester powder coat finish. Custom colors and Marine are available upon request.

LAMP HOLDERS- Accommodates **Incandescent** medium base porcelain socket, copper shell with nicked plate, rated 250V, 660W.

Compact Fluorescent 4 pin heat resistant thermoplastic socket accommodates 26/32W (Gx24q-3 base) and 42W (Gx24q-4 base).

Twist lock design provides for vibration and earthquake resistance, rated 75W, 600V. **LED**. A minimum of 60,000 hours to 100,000 expected life depending on installation location and ambient temperature.

MOUNTING- 1/2" or 3/4" tapped hub is supplied. Top or side mount available. Fixtures are pre-wired with 48" or 96" leads. Available with cord or stem sets.

MATERIAL- Aluminum die cast

E1/INC

MODEL#	SIZE	GLASS	GUARD	FINISH	LIGHT SOURCE			MOUNTING	DIMENSION	
					INC	CF ¹	LED ¹			
E	1	CL3-3" clear	CG-Cast guard	40-copper w/ coat	100W	26W, 32W, 42W CFWTM 1/2	10W	E16	INC 13 1/2"H x 4 1/4"W x 8 1/4" proj.	
		FR3-3" frosted		41-black						
		PR3-3" prismatic		42-dr. green						
	2	1	RE3-3" red	WG-Wire guard	43-red	200W	26W, 32W, 42W CFWTM 1/2	20W	E17	INC 15 1/2"H x 5 1/2"W x 8 1/2" proj.
			BL3-3" blue		44-white					
			GR3-3" green		45-med. blue					
2		1	AH3-3" amber Hyde	WG-Wire guard	46-yellow	200W	26W, 32W, 42W CFWTM 1/2	20W	E17/CFWTM 1/2	CF 16"H x 6"W x 10" proj.
			CL4-4" clear		48-polish alum.					
			FR4-4" frosted		49-galvanized					
2	1	PR4-4" prismatic	WG-Wire guard	50-navy blue	200W	26W, 32W, 42W CFWTM 1/2	20W	E17/CFWTM 1/2	CF 16"H x 6"W x 10" proj.	
		RE4-4" red		51-arch.						
		BL4-4" blue		52-patina						
	2	1	GR4-4" green	WG-Wire guard	53-rust	200W	26W, 32W, 42W CFWTM 1/2	20W	E17/CFWTM 1/2	CF 16"H x 6"W x 10" proj.
			AH4-4" amber Hyde		54-stucco					
					55-sage					
2	1		WG-Wire guard	59-coppertone	200W	26W, 32W, 42W CFWTM 1/2	20W	E17/CFWTM 1/2	CF 16"H x 6"W x 10" proj.	
				60-canal green						
				61-anod. charcoal						
2	1		WG-Wire guard	62-anod. bronze	200W	26W, 32W, 42W CFWTM 1/2	20W	E17/CFWTM 1/2	CF 16"H x 6"W x 10" proj.	
				63-iron rust						

¹REMOTE BALLAST



PHONE: 877-999-1990
FAX: 877-999-1955

12260 EAST END AVE. CHINO, CA 91710

wet location

S E R I E S - E / H E

PREPARED BY: _____

TYPE: _____

JOB NAME: _____

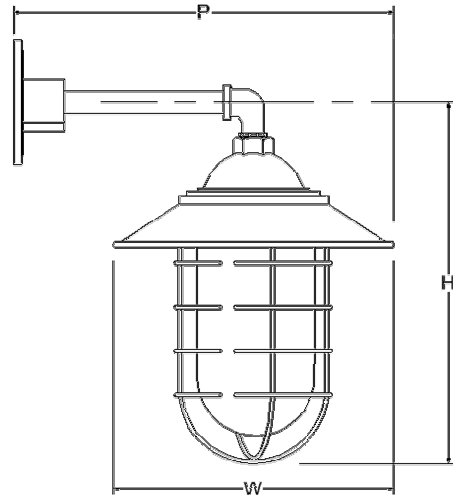
CERTIFICATION: UL LISTED WET LOCATION

FINISH-Five stage pretreatment process, coated with a lead free TGI C polyester powder coat finish. Custom colors and Marine are available upon request.

LAMP HOLDERS- Accommodates **Incandescent** medium base porcelain socket, copper shell with nicked plate, rated 250V, 660W. **Compact Fluorescent** 4 pin heat resistant thermoplastic socket accommodates 26/32W (Gx24q-3 base) and 42W (Gx24q-4 base). Twist lock design provides for vibration and earthquake resistance, rated 75W, 600V. **LED**. A minimum of 60,000 hours to 100,000 expected life depending on installation location and ambient temperature.

MOUNTING- 1/2" or 3/4" tapped hub is supplied. Top or side mount available. Fixtures are pre-wired with 48" or 96" leads. Available with cord or stem sets.

MATERIAL- Aluminum die cast



HE2/E17/INC

MODEL#	SIZE	GLASS	GUARD	FINISH	LIGHT SOURCE			MOUNTING	DIMENSION
					INC	CF ¹	LED ¹		
HE	1	CL3-3" clear FR3-3" frosted PR3-3" prismatic RE3-3" red BL3-3" blue GR3-3" green AH3-3" amber Hyde	CG- Cast guard	40-copper w/ coat 41-black 42-dr. green 43-red 44-white 45-med. blue 46-yellow 48-polish alum. 49-galvanized	100 W			E16	INC 13"H x 8"W x 12" proj.
						26W, 32W, 42W CFWTM ½	10W	E16/CFWTM ½	CF 13 ½"H x 8"W x 13 ¼" proj.
	2	CL4-4" clear FR4-4" frosted PR4-4" prismatic RE4-4" red BL4-4" blue GR4-4" green AH4-4" amber Hyde	WG- Wire guard	50-navy blue 51-arch. 52-patina 53-rust 54-stucco 55-sage 58-satin alum. clear coat 59-coppertone 60-canal green 61-anod. charcoal 62-anod. bronze 63-iron rust	200 W			E17	INC 15"H x 10"W x 12 ½" proj.
						26W, 32W, 42W CFWTM ½	20W	E17/CFWTM ½	CF 15 ½"H x 10"W x 13 ¾" proj.

¹REMOTE BALLAST

PHONE: 877-999-1990
FAX: 877-999-1955

12260 EAST END AVE. CHINO, CA 91710



wet location