

SERIES-DE

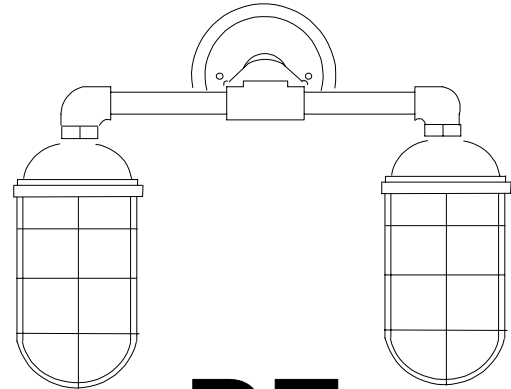
PREPARED BY: _____

TYPE: _____

JOB NAME: _____

DATE: _____

CERTIFICATION: UL LISTED WET LOCATION



DE

FINISH-Five stage pretreatment process, coated with a lead free TGI C polyester powder coat finish. Custom colors and Marine are available upon request.

LAMP HOLDERS- Accommodates **Incandescent** medium base porcelain socket, copper shell with nicked plate, rated 250V, 660W. **Compact Fluorescent** 4 pin heat resistant thermoplastic socket accommodates 26/32W (Gx24q-3 base) and 42W (Gx24q-4 base). Twist lock design provides for vibration and earthquake resistance, rated 75W, 600V. **LED**. A minimum of 60,000 hours to 100,000 expected life depending on installation location and ambient temperature.

MOUNTING- 1/2" or 3/4" tapped hub is supplied. Top or side mount available. Fixtures are pre-wired with 48" or 96" leads. Available with cord or stem sets.

MATERIAL- Aluminum die cast

| MODEL# | SIZE | GUARD | GLASS | FINISH | LIGHT SOURCE | | | MOUNTING | DIMENSION | |
|--------|------|---------------|---|---|--------------|-----------------|------------------|-----------------------------|-----------------------------|-------------------------|
| | | | | | INC | CF ¹ | LED ¹ | | | |
| DE | 1 | CG-cast guard | CL3-3" clear FR3-3" frosted PR3-3" prismatic RE3-3" red BL3-3" blue GR3-3" green AH3-3" amber Hyde | 40-copper w/ coat 41-black 42-dr. green 43-red 44-white 45-med. blue 46-yellow 48-polish alum. 49-galvanized | 100W | | | E18-arm extension | 13 1/2"H x 15"W x 10" proj. | |
| | | | | | | 26W or 32W | 10W | | | 14"H x 15"W x 11" proj. |
| | | | | | | | | | | |
| | 2 | WG-wire guard | CL4-4" clear FR4-4" frosted PR4-4" prismatic RE4-4" red BL4-4" blue GR4-4" green AH4-4" amber Hyde | 50-navy blue 51-arch. 52-patina 53-rust 54-stucco 55-sage 59-coppertone 60-canal green 61-anod. charcoal 62-anod. bronze 63-iron rust | 200W | | | 15 1/2"H x 16"W x 11" proj. | | |
| | | | | | | 26W or 32W | 20W | | 16"H x 16"W x 12 1/4" proj. | |
| | | | | | | | | | | |

¹REMOTE BALLAST

PHONE: 877-999-1990
FAX: 877-999-1955



wet location

12260 EAST END AVE. CHINO, CA 91710

SERIES-DP

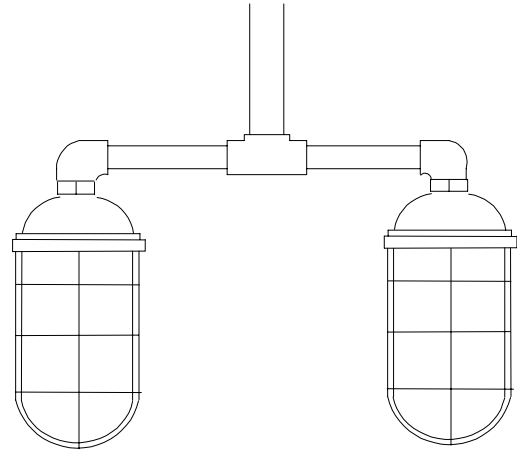
PREPARED BY: _____

TYPE: _____

JOB NAME: _____

DATE: _____

CERTIFICATION: UL LISTED



DP

FINISH-Five stage pretreatment process, coated with a lead free TGI C polyester powder coat finish. Custom colors and Marine are available upon request.

LAMP HOLDERS- Accommodates **Incandescent** medium base porcelain socket, copper shell with nicked plate, rated 250V, 660W.

Compact Fluorescent 4 pin heat resistant thermoplastic socket accommodates 26/32W (Gx24q-3 base) and 42W (Gx24q-4 base).

Twist lock design provides for vibration and earthquake resistance, rated 75W, 600V. **LED**. A minimum of 60,000 hours to 100,000 expected life depending on installation location and ambient temperature.

MOUNTING- Stem mount. Fixtures are pre-wired with leads.

MATERIAL- Aluminum die cast

| MODEL# | SIZE | GUARD | GLASS | FINISH | LIGHT SOURCE | | | MOUNTING | DIMENSION |
|--------|------|----------------------|---|---|--------------|------------------|------------------|--|-------------|
| | | | | | INC | CF ¹ | LED ¹ | | |
| DP | 1 | CG- cast guard | CL3-3" clear FR3-3" frosted PR3-3" prismatic RE3-3" red BL3-3" blue GR3-3" green AH3-3" amber Hyde | 40-copper w/ coat 41-black 42-dr. green 43-red 44-white 45-med. blue 46-yellow 48-polish alum. 49-galvanized | 100W | | | STXX- Stem mount, Length to be determined | 12"H X 15"W |
| | | | | | | 26W or 32W | 10W | | 13"H 16"W |
| | 2 | WG- wire guard | CL4-4" clear FR4-4" frosted PR4-4" prismatic RE4-4" red BL4-4" blue GR4-4" green AH4-4" amber Hyde | 50-navy blue 51-arch. 52-patina 53-rust 54-stucco 55-sage 59-coppertone 60-canal green 61-anod. charcoal 62-anod. bronze 63-iron rust | 200W | | | 12"H X 15"W | |
| | | | | | | 26W or 32W | 20W | 13"H 16"W | |

¹REMOTE BALLAST

PHONE: 877-999-1990

FAX: 877-999-1955



SERIES-DHE 12260 EAST END AVE. PINO, CA 91710

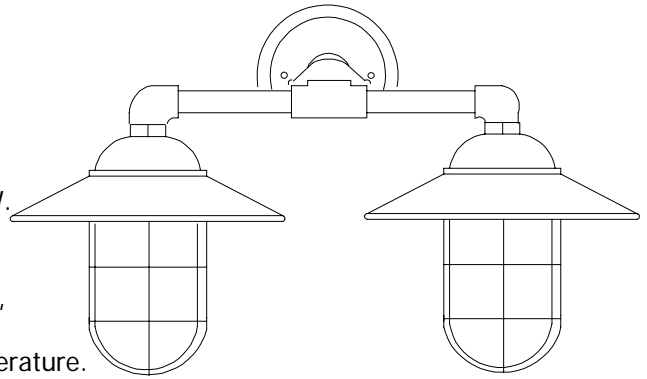
PREPARED BY: _____

TYPE: _____

JOB NAME: _____

CERTIFICATION: UL LISTED WET LOCATION

LAMP HOLDERS- Accommodates **Incandescent** medium base porcelain socket, copper shell with nicked plate, rated 250V, 660W. **Compact Fluorescent** 4 pin heat resistant thermoplastic socket accommodates 26/32W (Gx24q-3 base) and 42W (Gx24q-4 base). Twist lock design provides for vibration and earthquake resistance, rated 75W, 600V. **LED.** A minimum of 60,000 hours to 100,000 expected life depending on installation location and ambient temperature.



DHE

MOUNTING- 1/2" or 3/4" tapped hub is supplied. Top or side mount available. Fixtures are pre-wired with 48" or 96" leads. Available with cord or stem sets.

REFLECTOR- Spun out of heavy-duty Aluminum or Galvanized construction.

MATERIAL- Aluminum die cast

| MODEL# | SIZE | GUARD | GLASS | FINISH | LIGHT SOURCE | | | MOUNTING | DIMENSION |
|--------|------|---------------|---|---|--------------|-----------------|------------------|-------------------|---------------------------------|
| | | | | | INC | CF ¹ | LED ¹ | | |
| DHE | 1 | CG-cast guard | CL3-3" clear FR3-3" frosted PR3-3" prismatic RE3-3" red BL3-3" blue GR3-3" green AH3-3" amber Hyde | 40-copper w/ coat 41-black 42-dr. green 43-red 44-white 45-med. blue 46-yellow 48-polish alum. 49-galvanized 50-navy blue 51-arch. 52-patina | 100W | | | E18-arm extension | 13 1/2"H x 18"W x 11" proj. |
| | | | | | | 26W or 32W | 10W | | 14"H x 18"W x 12 1/2" proj. |
| | 2 | WG-wire guard | CL4-4" clear FR4-4" frosted PR4-4" prismatic RE4-4" red BL4-4" blue GR4-4" green AH4-4" amber Hyde | 53-rust 54-stucco 55-sage 58-satin alum. clear coat 59-coppertone 60-canal green 61-anod. charcoal 62-anod. bronze 63-iron rust | 200W | | | E18-arm extension | 15"H x 20"W x 11" proj. |
| | | | | | | 26W or 32W | 20W | | 15 1/2"H x 20"W x 12 1/4" proj. |

¹REMOTE BALLAST

PHONE: 877-999-1990
FAX: 877-999-1955



wet location

S E R I E S - D H P

12260 EAST END AVE. CHINO, CA 91710

PREPARED BY: _____

TYPE: _____

JOB NAME: _____

DATE: _____

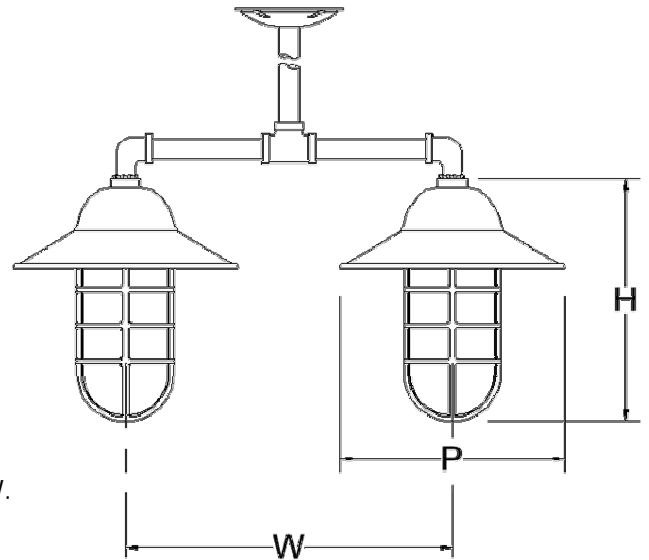
CERTIFICATION: UL LISTED

FINISH-Five stage pretreatment process, coated with a lead free TGI C polyester powder coat finish. Custom colors and Marine are available upon request.

LAMP HOLDERS- Accommodates **Incandescent** medium base porcelain socket, copper shell with nicked plate, rated 250V, 660W. **Compact Fluorescent** 4 pin heat resistant thermoplastic socket accommodates 26/32W (Gx24q-3 base) and 42W (Gx24q-4 base). Twist lock design provides for vibration and earthquake resistance, rated 75W, 600V. **LED**. A minimum of 60,000 hours to 100,000 expected life depending on installation location and ambient temperature.

MOUNTING- 1/2" or 3/4" tapped hub is supplied. Top or side mount available. Fixtures are pre-wired with 48" or 96" leads. Available with cord or stem sets.

MATERIAL- Aluminum die cast



DHP1/INC

| MODEL# | SIZE | GUARD | GLASS | FINISH | LIGHT SOURCE | | | MOUNTING | DIMENSION |
|--------|------|---------------|---|--|--------------|-----------------|------------------|---------------------------------------|-------------|
| | | | | | INC | CF ¹ | LED ¹ | | |
| DHP | 1 | CG-cast guard | CL3-3" clear FR3-3" frosted PR3-3" prismatic RE3-3" red BL3-3" blue GR3-3" green AH3-3" amber Hyde | 40-copper w/ coat 41-black 42-dr. green 43-red 44-white 45-med. blue 46-yellow 48-polish alum. 49-galvanized 50-navy blue 51-arch. 52-patina 53-rust | 100W | | | STXX-18", 24", 36", 48" stem 1/2" NPT | 12"H x 23"W |
| | | | | | | 26W or 32W | 10W | | 13"H x 25"W |
| | 2 | WG-wire guard | CL4-4" clear FR4-4" frosted PR4-4" prismatic RE4-4" red BL4-4" blue GR4-4" green AH4-4" amber Hyde | 54-stucco 55-sage 58-satin alum. clear coat 59-coppertone 60-canal green 61-anod. charcoal 62-anod. bronze 63-iron rust | 200W | | | 26W or 32W | 12"H x 23"W |
| | | | | | | 26W or 32W | 20W | | 13"H x 25"W |

¹REMOTE BALLAST

PHONE: 877-999-1990

FAX: 877-999-1955



12260 EAST END AVE CHINO, CA 91710

S E R I E S - D P V 

PREPARED BY: _____

TYPE: _____

JOB NAME: _____

CERTIFICATION: UL LISTED WET LOCATION

FINISH-Five stage pretreatment process, coated with a lead free TGI C polyester powder coat finish. White is standard inside reflectors, Except #49-Galvanized, #62-Anodized Bronze and #63-Iron Rust, Unless specified. Custom colors and Marine are available upon request.

MOUNTING- 1/2" or 3/4" tapped hub is supplied. Top or side mount available. Fixtures are pre-wired with 48" or 96" leads. Available with cord or stem sets.

REFLECTOR- Spun from heavy gauge 1100-0 aluminum, ranging in thickness from .050 to .125. Galvanized is from 20 gauge sheets. Copper is spun from .040 gauge and 110 soft alloy.

LAMP HOLDERS- Accommodates **Incandescent** medium base porcelain socket, copper shell with nicked plate, rated 250V, 660W. **Compact Fluorescent** 4 pin heat resistant thermoplastic socket accommodates 26/32W (Gx24q-3 base) and 42W (Gx24q-4 base). Twist lock design provides for vibration and earthquake resistance, rated 75W, 600V. **High Intensity Discharge (H.I.D.)** medium base, 4KV pulse start socket, rated 660W/600V. **LED**. A minimum of 60,000 hours to 100,000 expected life depending on installation location and ambient temperature.

| MODEL# | SIZE | GUARD | GLASS | FINISH | LIGHT SOURCE | | | MOUNTING | DIMENSION |
|--------|------|---------------|---|--|--------------|-----------------|-----------------------|--|-------------|
| | | | | | INC | CF ¹ | LED ¹ | | |
| DPV | 1 | CG-cast guard | CL3-3" clear FR3-3" frosted PR3-3" prismatic RE3-3" red BL3-3" blue GR3-3" green AH3-3" amber Hyde | 40-copper w/ coat 41-black 42-dr. green 43-red 44-white 45-med. blue 46-yellow 48-polish alum. 49-galvanized 50-navy blue 51-arch. 52-patina 53-rust 54-stucco 55-sage 58-satin alum. clear coat 59-coppertone 60-canal green 61-anod. charcoal 62-anod. bronze 63-iron rust | 100W | 26 Or 32W | 10W | STXX- 18", 24", 36", 48" stem 1/2" NPT | 13"H x 25"W |
| | | | | | | | 4 1/2"H x 21 1/2"W | | |

¹REMOTE BALLAST

PHONE: 877-999-1990

FAX: 877-999-1955



12260 EAST END AVE. CHINO, CA 91710

