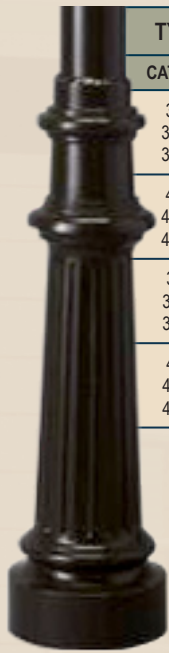
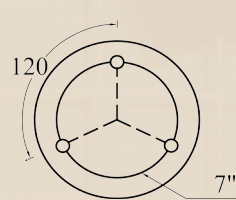



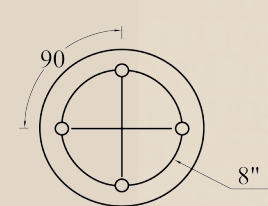
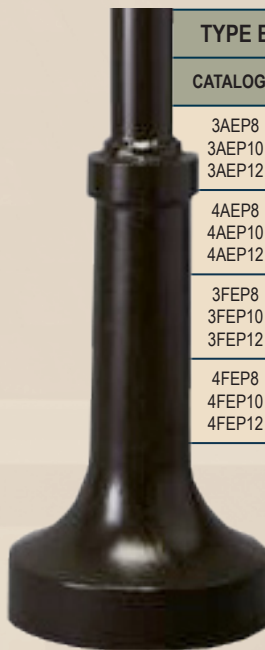
Cast Aluminum Poles



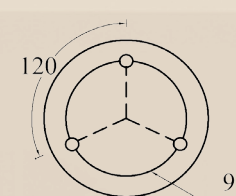

TYPE A	HEIGHT - 25" BASE - 10"		
CATALOG #	HEIGHT	SHAFT SIZE	BOLT SIZE
3AAP8	8' 0"	3" ROUND	1/2" X 15"
3AAP10	10' 0"	3" ROUND	1/2" X 15"
3AAP12	12' 0"	3" ROUND	1/2" X 15"
4AAP8	8' 0"	4" ROUND	1/2" X 15"
4AAP10	10' 0"	4" ROUND	1/2" X 15"
4AAP12	12' 0"	4" ROUND	1/2" X 15"
3FAP8	8' 0"	3" FLUTED	1/2" X 15"
3FAP10	10' 0"	3" FLUTED	1/2" X 15"
3FAP12	12' 0"	3" FLUTED	1/2" X 15"
4FAP8	8' 0"	4" FLUTED	1/2" X 15"
4FAP10	10' 0"	4" FLUTED	1/2" X 15"
4FAP12	12' 0"	4" FLUTED	1/2" X 15"

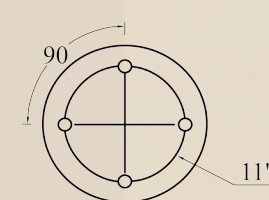
TYPE B	HEIGHT - 32" BASE - 12"		
CATALOG #	HEIGHT	SHAFT SIZE	BOLT SIZE
3ABP8	8' 0"	3" ROUND	1/2" X 15"
3ABP10	10' 0"	3" ROUND	1/2" X 15"
3ABP12	12' 0"	3" ROUND	1/2" X 15"
4ABP8	8' 0"	4" ROUND	1/2" X 15"
4ABP10	10' 0"	4" ROUND	1/2" X 15"
4ABP12	12' 0"	4" ROUND	1/2" X 15"
3FBP8	8' 0"	3" FLUTED	1/2" X 15"
3FBP10	10' 0"	3" FLUTED	1/2" X 15"
3FBP12	12' 0"	3" FLUTED	1/2" X 15"
4FBP8	8' 0"	4" FLUTED	1/2" X 15"
4FBP10	10' 0"	4" FLUTED	1/2" X 15"
4FBP12	12' 0"	4" FLUTED	1/2" X 15"

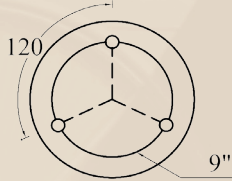
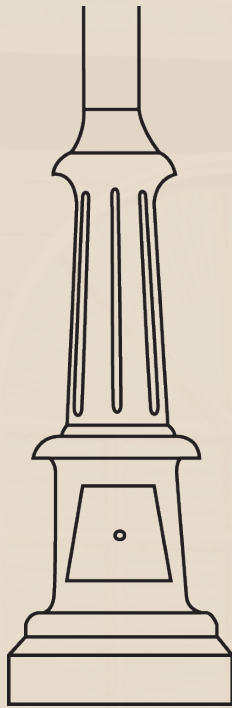
TYPE E	HEIGHT - 23" BASE - 12"		
CATALOG #	HEIGHT	SHAFT SIZE	BOLT SIZE
3AEP8	8' 0"	3" ROUND	1/2" X 15"
3AEP10	10' 0"	3" ROUND	1/2" X 15"
3AEP12	12' 0"	3" ROUND	1/2" X 15"
4AEP8	8' 0"	4" ROUND	1/2" X 15"
4AEP10	10' 0"	4" ROUND	1/2" X 15"
4AEP12	12' 0"	4" ROUND	1/2" X 15"
3FEP8	8' 0"	3" FLUTED	1/2" X 15"
3FEP10	10' 0"	3" FLUTED	1/2" X 15"
3FEP12	12' 0"	3" FLUTED	1/2" X 15"
4FEP8	8' 0"	4" FLUTED	1/2" X 15"
4FEP10	10' 0"	4" FLUTED	1/2" X 15"
4FEP12	12' 0"	4" FLUTED	1/2" X 15"

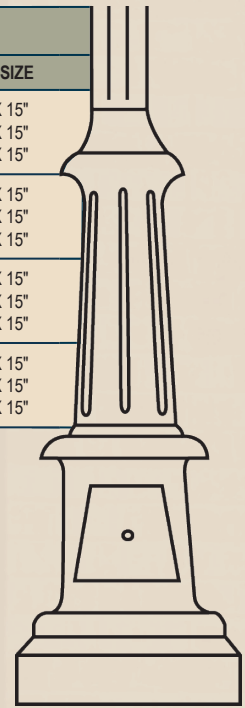
TYPE G	HEIGHT - 16.5" BASE - 16"		
CATALOG #	HEIGHT	SHAFT SIZE	BOLT SIZE
3AGP8	8' 0"	3" ROUND	1/2" X 15"
3AGP10	10' 0"	3" ROUND	1/2" X 15"
3AGP12	12' 0"	3" ROUND	1/2" X 15"
4AGP8	8' 0"	4" ROUND	1/2" X 15"
4AGP10	10' 0"	4" ROUND	1/2" X 15"
4AGP12	12' 0"	4" ROUND	1/2" X 15"
3FGP8	8' 0"	3" FLUTED	1/2" X 15"
3FGP10	10' 0"	3" FLUTED	1/2" X 15"
3FGP12	12' 0"	3" FLUTED	1/2" X 15"
4FGP8	8' 0"	4" FLUTED	1/2" X 15"
4FGP10	10' 0"	4" FLUTED	1/2" X 15"
4FGP12	12' 0"	4" FLUTED	1/2" X 15"



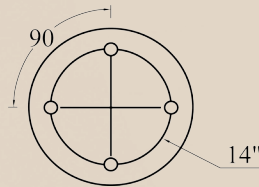
Hand hole, anchor bolts and template provided. Aluminum tubing is welded to a cast aluminum base.



TYPE C	HEIGHT - 32" BASE - 12"		
	CATALOG #	HEIGHT	BOLT SIZE
3ACP8	8' 0"	3" ROUND	1/2" X 15"
3ACP10	10' 0"	3" ROUND	1/2" X 15"
3ACP12	12' 0"	3" ROUND	1/2" X 15"
4ACP8	8' 0"	4" ROUND	1/2" X 15"
4ACP10	10' 0"	4" ROUND	1/2" X 15"
4ACP12	12' 0"	4" ROUND	1/2" X 15"
3FCP8	8' 0"	3" FLUTED	1/2" X 15"
3FCP10	10' 0"	3" FLUTED	1/2" X 15"
3FCP12	12' 0"	3" FLUTED	1/2" X 15"
4FCP8	8' 0"	4" FLUTED	1/2" X 15"
4FCP10	10' 0"	4" FLUTED	1/2" X 15"
4FCP12	12' 0"	4" FLUTED	1/2" X 15"



TYPE D	HEIGHT - 27" BASE - 18"		
	CATALOG #	HEIGHT	BOLT SIZE
3ADP8	8' 0"	3" ROUND	1/2" X 15"
3ADP10	10' 0"	3" ROUND	1/2" X 15"
3ADP12	12' 0"	3" ROUND	1/2" X 15"
4ADP8	8' 0"	4" ROUND	1/2" X 15"
4ADP10	10' 0"	4" ROUND	1/2" X 15"
4ADP12	12' 0"	4" ROUND	1/2" X 15"
3FDP8	8' 0"	3" FLUTED	1/2" X 15"
3FDP10	10' 0"	3" FLUTED	1/2" X 15"
3FDP12	12' 0"	3" FLUTED	1/2" X 15"
4FDP8	8' 0"	4" FLUTED	1/2" X 15"
4FDP10	10' 0"	4" FLUTED	1/2" X 15"
4FDP12	12' 0"	4" FLUTED	1/2" X 15"

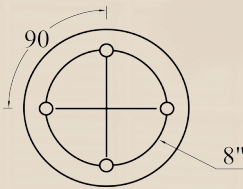


Hand hole, anchor bolts and template provided. Aluminum tubing is welded to a cast aluminum base.

Poles



ALUMINUM FLUTED			
CATALOG #	HEIGHT	SHAFT SIZE	BOLT SIZE
3FFP8	8' 0"	3" FLUTED	1/2" X 15"
3FFP10	10' 0"	3" FLUTED	1/2" X 15"
3FFP12	12' 0"	3" FLUTED	1/2" X 15"
4FFP8	8' 0"	4" FLUTED	1/2" X 15"
4FFP10	10' 0"	4" FLUTED	1/2" X 15"
4FFP12	12' 0"	4" FLUTED	1/2" X 15"



Template for Round Poles

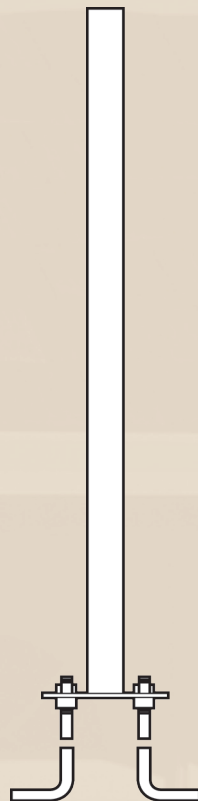


Pole Cover Provided
10"x3"

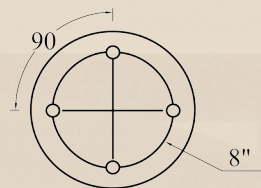
Hand hole anchor bolts and template provided.
.125" Aluminum Pole

DIRECT BURIAL			
CATALOG #	HEIGHT	SHAFT SIZE	BOLT SIZE
3DP8	8' 0" (9' 6")	3" ROUND	N/A
3DP10	10' 0" (11' 6")	3" ROUND	N/A
3DP12	12' 0" (13' 6")	3" ROUND	N/A
4DP8	8' 0" (9' 6")	4" ROUND	N/A
4DP10	10' 0" (11' 6")	4" ROUND	N/A
4DP12	12' 0" (13' 6")	4" ROUND	N/A

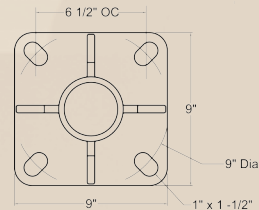
Hand hole provided. .125" Aluminum Pole



STEEL POLES			
CATALOG #	HEIGHT	SHAFT SIZE	BOLT SIZE
3STP8	8' 0"	3" ROUND	1/2" X 15"
3STP10	10' 0"	3" ROUND	1/2" X 15"
3STP12	12' 0"	3" ROUND	1/2" X 15"
4STP8	8' 0"	4" ROUND	1/2" X 15"
4STP10	10' 0"	4" ROUND	1/2" X 15"
4STP12	12' 0"	4" ROUND	1/2" X 15"
3SQP8	8' 0"	3" SQUARE	1/2" X 15"
3SQP10	10' 0"	3" SQUARE	1/2" X 15"
3SQP12	12' 0"	3" SQUARE	1/2" X 15"
4SQP8	8' 0"	4" SQUARE	1/2" X 15"
4SQP10	10' 0"	4" SQUARE	1/2" X 15"
4SQP12	12' 0"	4" SQUARE	1/2" X 15"



Template for Round Poles



Template for Square Poles



Pole Cover Provided - 10"x3"

Hand hole anchor bolts and template provided. 11 gauge steel.