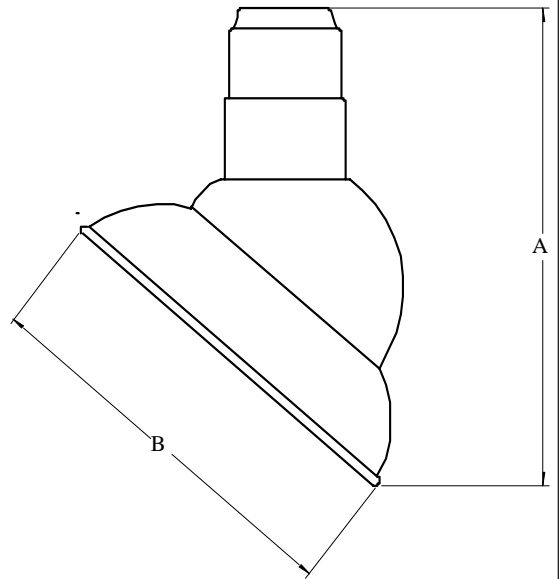


Emblem Shades

MODEL NO.
 TYPE:
 JOB NAME:
 CERTIFICATION: UL LISTED

Model no.	A (Height in Inches)	B (Diameter in Inches)
M707	8 3/4	7
M710	10	10
M712	12	12
M718	14	14



FINISH- Available in high quality powder coat, or anodized finish.

LAMP OPTIONS- Accommodates Incandescent, Compact Fluorescent or High Intensity Discharge Lamps. (ordered separately)

MOUNTING- 1/2" is 3/4" tapped hub is supplied. Fixtures are pre-wired with 48" or 96" leads. Not available with cord sets.

REFLECTOR- Spun out of heavy-duty Aluminum or Galvanized construction.

SOCKETS- Incandescent (rated for 600Watt/660Volt), and HID (4kv pulse rated) are medium base porcelain. Compact fluorescent are thermoplastic. (4-pin triple tube lamps)

Model #	Color	Mounting Source	Light Source			Globe	Accessories
			Inc.	CF	HID (MH & HPS)		
M707	40,41,42,	Pg. 39-41 for arm ext.	100W	26W*	35 or 50W*	Pg. 50	Pg. 49
M710	43,44,45,	Pg. 42-44 for post mts. & poles	150W	26,32, or 42W*	35, 50, 70 or 100W*		
M712	46,48,49,	pg. 48 for mounting hubs	200W	26,32, or 42W*	35, 50, 70 or 100W*		
M718	50,51,52, 53,54,55, 57,58,59, 60,61,62, 63		300W	26,32, or 42W*	35, 50, 70 or 100W*		
				*see pg. 47 for remote ballasts	*see pg.45-46 for remote ballasts		



12260 East End Ave.
 Chino, Ca. 91710
 Phone 877-999-1990
 Fax 877-999-1955



wet location